



BERG SPECIAL

Productsheet XL



CHOPPER, DUO CHOPPER

Perfect for going on
an **adventure!**

years

5+

125 to 190 cm

BERGTOYS.COM



BERG SPECIALS

Inspiring Active Play

Our BERG Specials are just that little bit different to our other go-karts. The BERG Duo Chopper and the BERG Chopper have three wheels instead of four, for example. The advantage of a go-kart on three wheels is that the turning circle is extremely small. So you can go nice and sharply around corners!

You can even play together on the BERG Duo Chopper. The co-rider can sit on the co-rider seat when mounted. When you remove this seat you will have a totally different experience because you can then stand next to the driver!

- BF/BFR system. Easy, fast and safe!
- The adjustable seat can be placed in 6 different positions
- Extra grip and comfort thanks to the pneumatic tyres
- Parking brake for additional safety
- Extremely small turning circle
- Suitable for users aged 5+
- CE certified

1. BF-/BFR-SYSTEM

The BERG Duo Chopper is equipped with a high-quality BF hub. This BF hub gives the driver the possibility to pedal forwards and to brake using their feet. The BF hub is equipped with a freewheel. This means that the pedals do not continue turning when the go-kart moves after you have stopped pedalling. This ensures a safe ride!

The BERG Chopper is equipped with the unique, patented BFR-system. BFR stands for: Break, Freewheel and Reverse. The BFR-system allows you to brake using the pedals, but also reverse immediately after coming to a standstill. This makes the BERG Chopper super simple and easy to ride. In addition, safety and maximum fun are perfectly combined due to the BFR-system.

*Perfect for going on
an **adventure!***



BERGTOYS.COM



2. DISTINCTIVE COLOURS

The BERG Duo Chopper and the BERG Chopper have a distinctive orange-black colour combination. Due to this colour combination, the go-kart matches perfectly with the Buddy Pro, all Gran Tour models, the BERG X-Cross and the X-Treme.



Perfect for going on
an **adventure!**



BERGTOYS.COM



3. EXTREMELY SMALL TURNING CIRCLE

A go-kart on 3 wheels has a smaller turning circle than a go-kart on 4 wheels. This means that you can make much sharper turns on the Duo Chopper and the Chopper!



Perfect for going on
an **adventure!**



BERGTOYS.COM



17.12.01.00

BERG CHOPPER BFR

Inspiring Active Play

The BERG Chopper is equipped with the unique, patented BFR system. Thanks to the freewheel, the pedals remain stationary while you ride. This provides additional safety. The wheels are mounted with roller bearings, which makes the wheels rotate quickly and smoothly. This means children can play for much longer without getting tired.

The 3 wheels of the go-kart give it higher manoeuvrability.

Extra comfortable thanks to the pneumatic tyres



Extremely small turning circle

The BFR system allows you to brake using the pedals, but also reverse immediately after coming to a standstill



Weight product: 40 kg

Box size:

Weight + box:

Frame	100x40x58.5 cm	31.8 kg
Theme	41x50x58 cm	16.7 kg

years **5+**
125 to 190 cm

BERGTOYS.COM

EAN-CODE: **8715839064377**



CHARACTERISTICS

Grows with you due to the adjustable steering wheel and saddle

Equipped with coaster brake, hand brake and parking brake



Very robust frame making it even suitable for professional use.

Suitable for children from the age of 5

The pneumatic tyres ensure extra comfort.

Extremely small turning circle



*Parfait pour quand vous partez à **l'aventure!***



BERGTOYS.COM



BERG DUO CHOPPER BF

Inspiring Active Play

The BERG Duo Chopper BF is one of the best tricycles there is! Riding along a boulevard, campsite or other public place has never been so much fun! The great advantage of the BERG Duo Chopper BF is that 2 people can ride around in it at the same time. To make this go-kart even more fun you can remove the co-rider's seat. Removing this seat allows the co-rider to stand next to the driver. The handrail provides enough support for holding on tightly. If you want to step off the sidecar you can do so from the back or from the side.

Are you tired after standing up for a long time? Sit on the steel mudguard and have a little rest. This mudguard is sturdy and designed to serve as a seat.



17.12.00.00

Weight product: 58.6 kg

Box size:

Weight + box:

Frame	100x40x58.5 cm	31.8 kg
Theme	41x50x58 cm	16.5 kg
Sidecar	75x75x29.5 cm	20.9 kg

years

5+

125 to 190 cm

BERGTOYS.COM

EAN-CODE: **8715839058598**



CHARACTERISTICS

The co-rider seat can be removed

Equipped with coaster brake, hand brake and parking brake



Very robust frame making it even suitable for professional use.

Suitable for children from the age of 5

The pneumatic tyres ensure extra comfort.

Extremely small turning circle



*Parfait pour quand vous partez à **l'aventure!***



BERGTOYS.COM



BERG SPECIAL ACCESSORIES

Inspiring Active Play

Accessory	Article	Product weight	Product weight + Box	Box size in CM
1 BERG Light set	15.20.45.00	0.57 kg	0.58 kg	20x10x10
2 BERG Steel Trailer	18.08.02.00	18.2 kg	20.7 kg	57x18x90
3 BERG Large Trailer	18.08.00.00	14.5 kg	17 kg	57x18x90

* Please note: Accessories are not suitable for the Duo Chopper



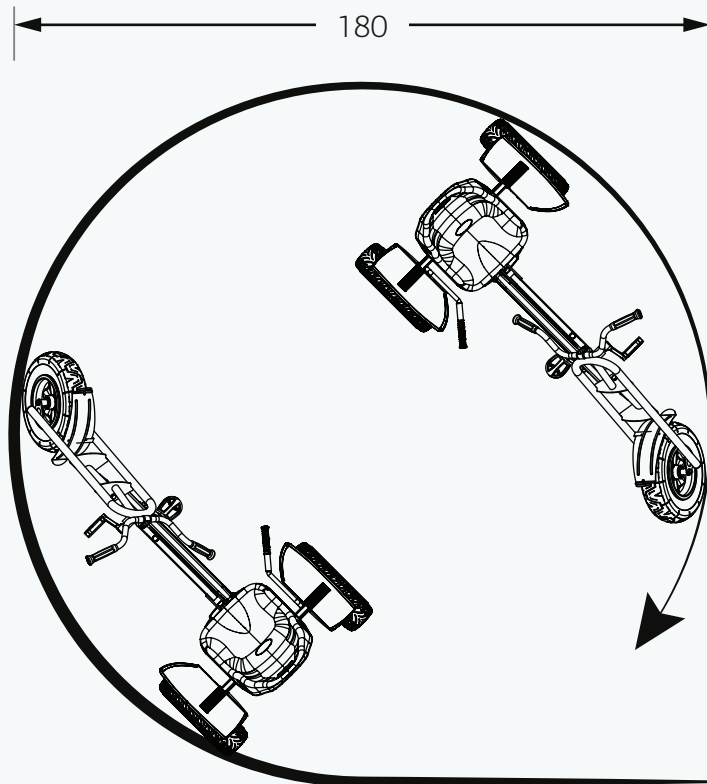
BERGTOYS.COM



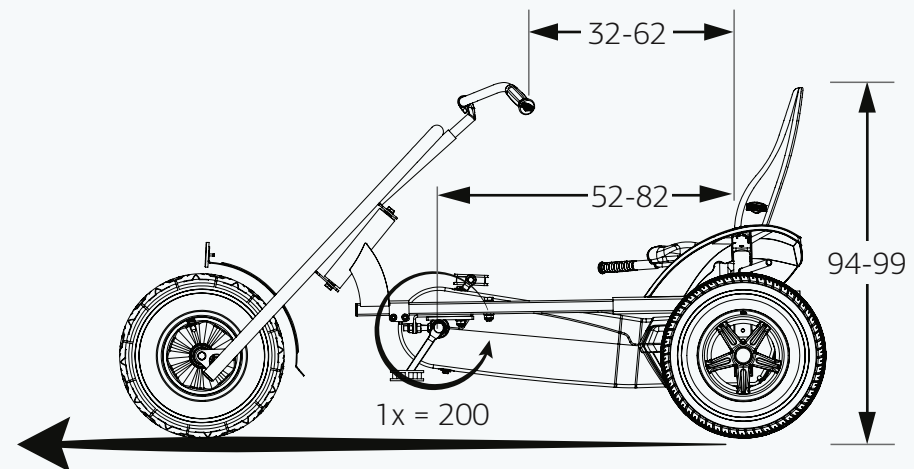
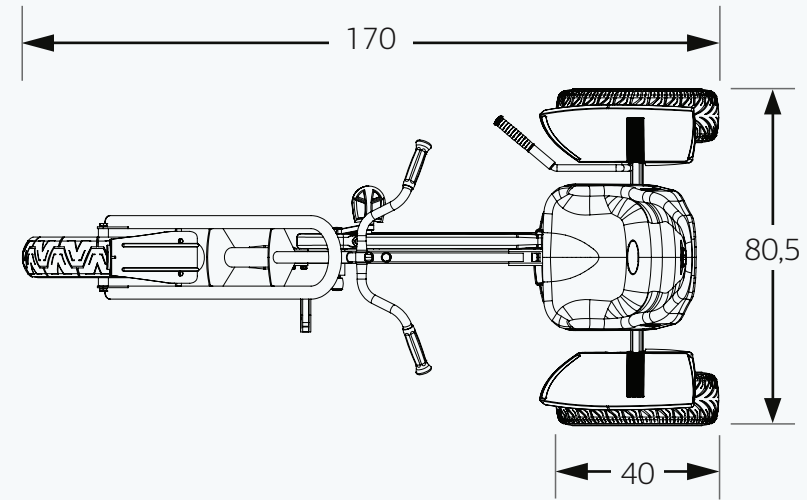
BERG CHOPPER DATA

Inspiring Active Play

The following data is applicable for the Chopper version.



* All dimensions in cm



BERGTOYS.COM





BERG CHOPPER DATA

Inspiring Active Play

General

Recommended age	5+ years
Max user height	200 cm
Max user weight	100 kg
Parental supervision necessary	Yes
Safety mark	CE
Assembly time	±30 min

Physical characteristics

Length	172 cm
Width	84 cm
Height	99 cm

Warranty

Frame	2 years
Parts	2 years
Tyres	0 years

Technical characteristics

Gears	N.A.
Tyre type	Pneumatic
Frame material	Steel
Forward and backward	Yes
Braking system	BFR
Parking brake	Yes
Transmission	BFR
Ball bearings	Yes
Swing axle	N.A.
Adjustable seat	Yes
Adjustable steering wheel	No
Trailer connection	Yes

Details packaging (2 packages)

Framepackage	
Cardboard in packaging	3.73 kg
Synthetic material in packaging	0.62 kg
Hardboard in packaging	0 kg
Number on Euro pallet	10 pieces
Themepackage	
Cardboard in packaging	1 kg
Synthetic material in packaging	0.7 kg
Hardboard in packaging	0 kg
Number on Euro pallet	20 pieces

* This information is subject to change and may vary

BERGTOYS.COM

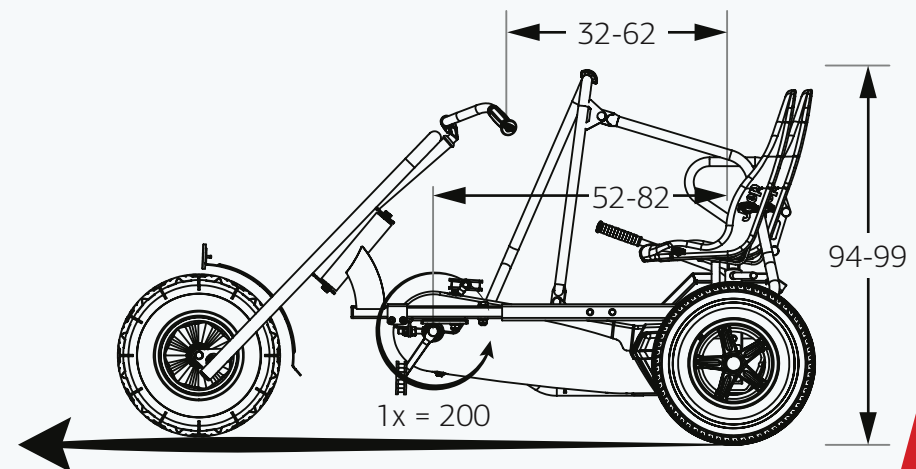
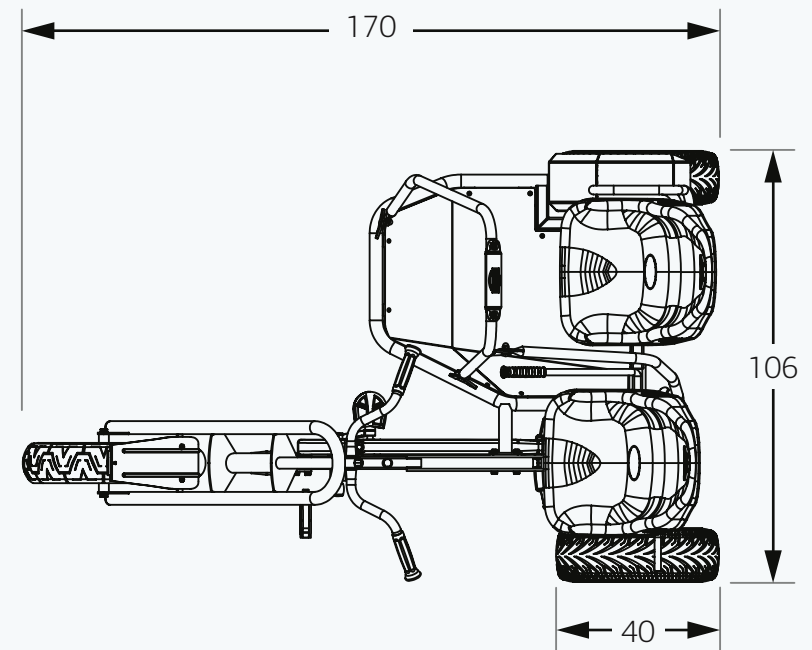
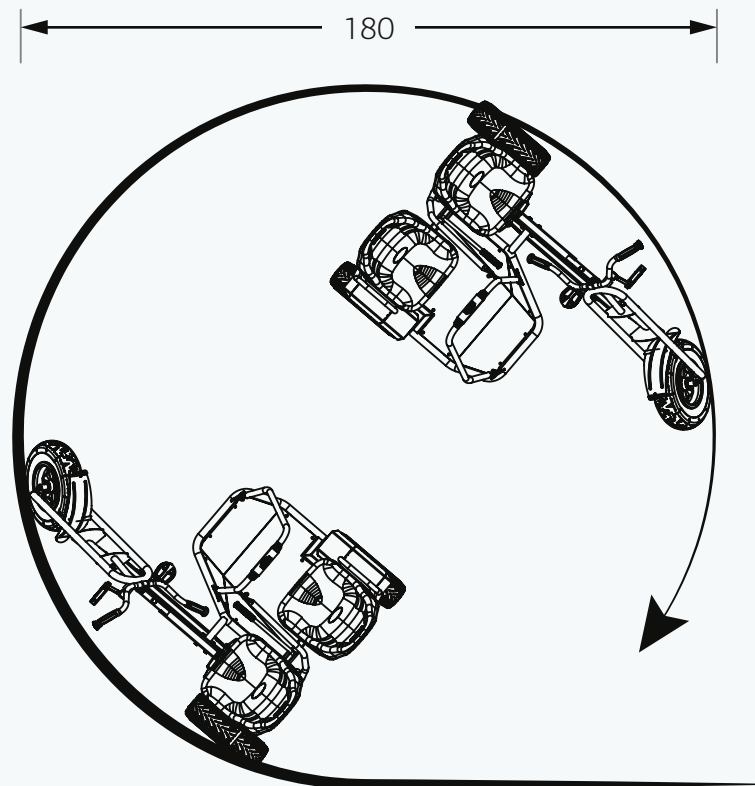




BERG DUO CHOPPER DATA

Inspiring Active Play

The following data is applicable for the Duo Chopper version.



* All dimensions in cm

BERGTOYS.COM





BERG DUO CHOPPER DATA

Inspiring Active Play

General

Recommended age	5+ years
Max user height	200 cm
Max user weight	2x 100 kg
Parental supervision necessary	Yes
Safety mark	CE
Assembly time	±30 min

Physical characteristics

Length	170 cm
Width	106 cm
Height	99 cm

Warranty

Frame	2 years
Parts	2 years
Tyres	0 years

* This information is subject to change and may vary

Technical characteristics

Gears	N.A.
Tyre type	Pneumatic
Frame material	Steel
Forward and backward	No, only forward
Braking system	BF
Parking brake	Yes
Transmission	BF
Ball bearings	Yes
Swing axle	N.A.
Adjustable seat	Yes
Adjustable steering wheel	No
Trailer connection	No

Details packaging (3 packages)

Framepackage	
Cardboard in packaging	3.73 kg
Synthetic material in packaging	0.62 kg
Hardboard in packaging	0 kg
Number on Euro pallet	10 pieces
Themepackage	
Cardboard in packaging	1 kg
Synthetic material in packaging	0.7 kg
Hardboard in packaging	0 kg
Number on Euro pallet	20 pieces
Sidecarpackage	
Cardboard in packaging	2.7 kg
Synthetic material in packaging	0.6 kg
Hardboard in packaging	0 kg
Number on Euro pallet	10 pieces



BERGTOYS.COM



BERGTOYS.COM