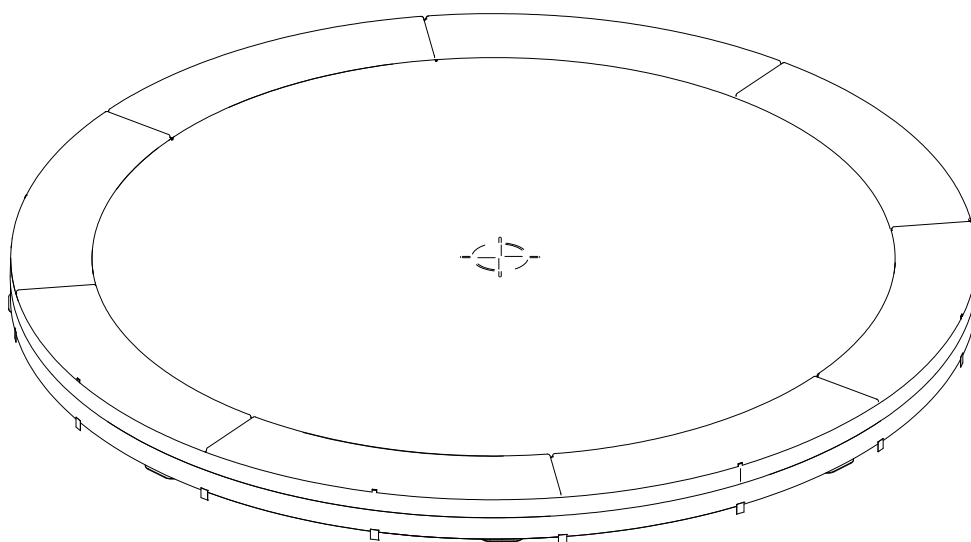


User manual
Gebruikshandleiding
Gebrauchsanweisung
Mode d'emploi

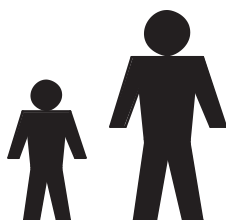


www.bergtoys.com

BERG InGround Champion



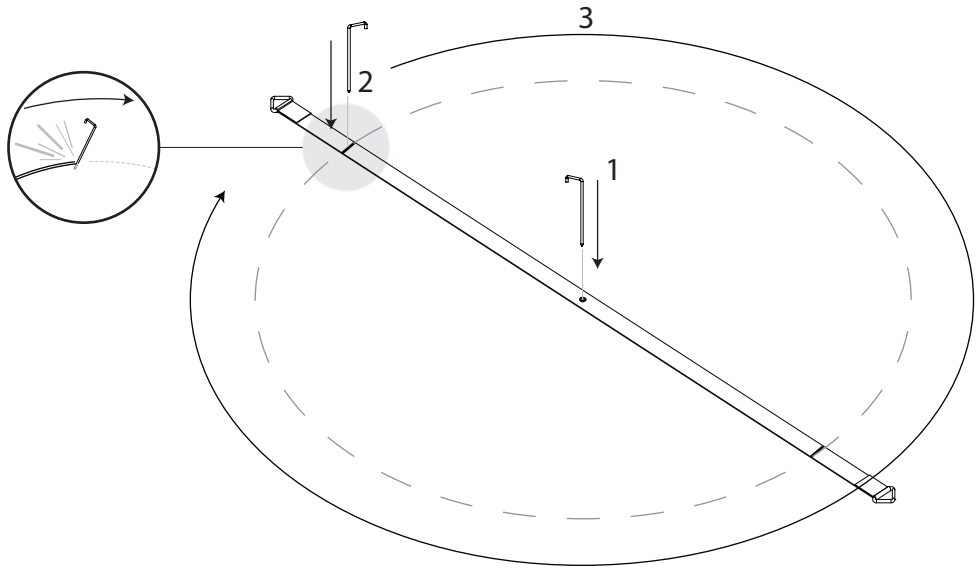
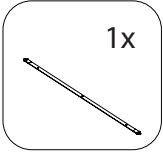
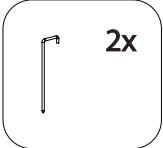
6+



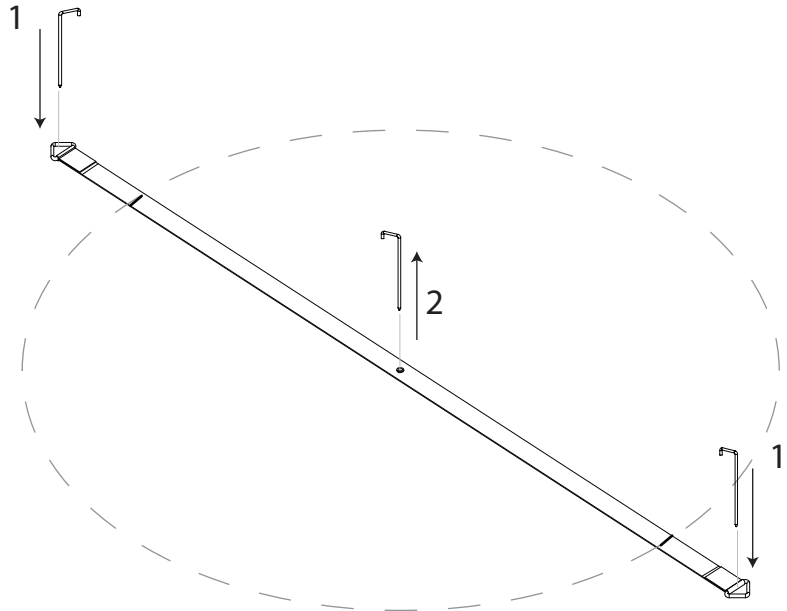
WARNING

CHOKING HAZARD, small parts. Adult assembly required
Read this manual prior to assembling and using this trampoline

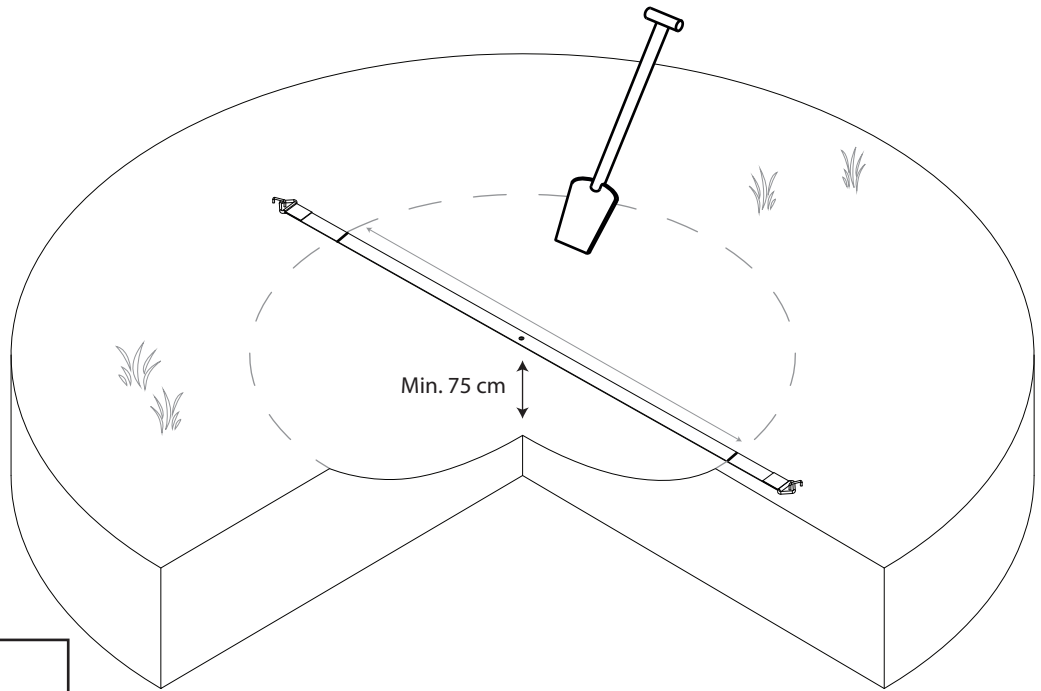
Retain for future reference



1

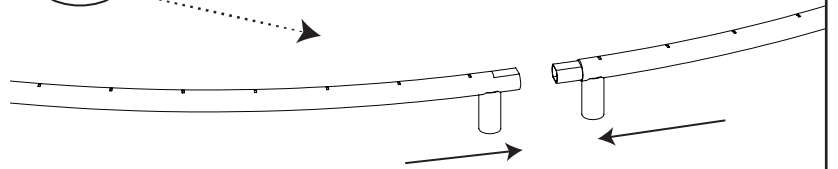
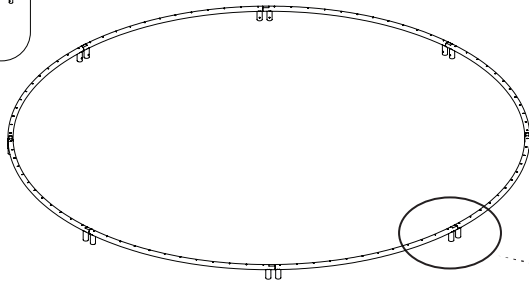
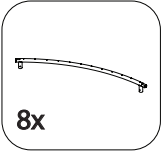


2

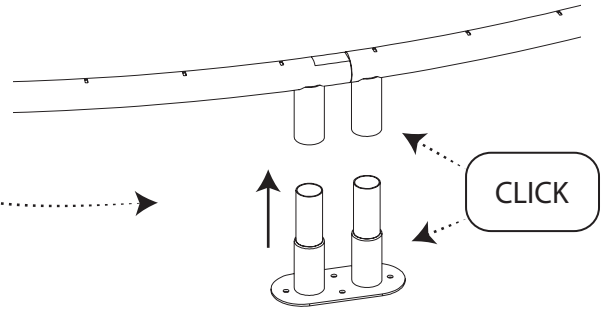
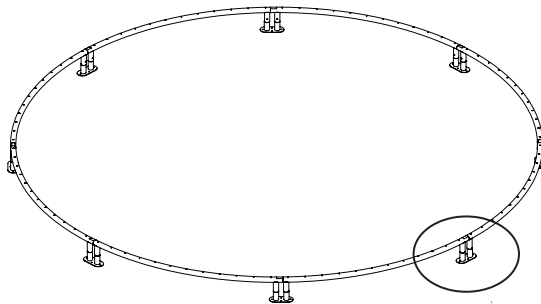
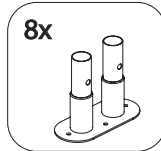


3

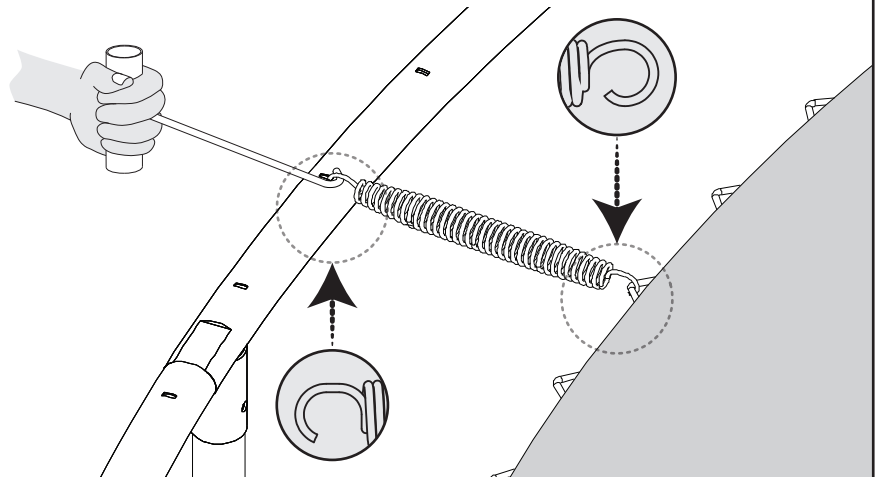
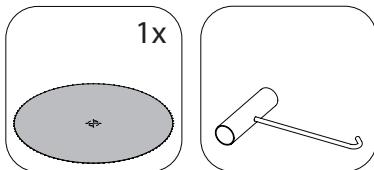
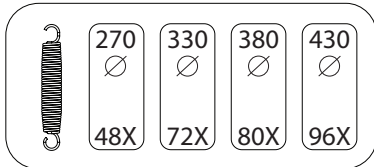
9ft / 270 : 230cm
 11ft / 330 : 290cm
 12,5ft / 380 : 340 cm
 14ft / 430 : 390 cm



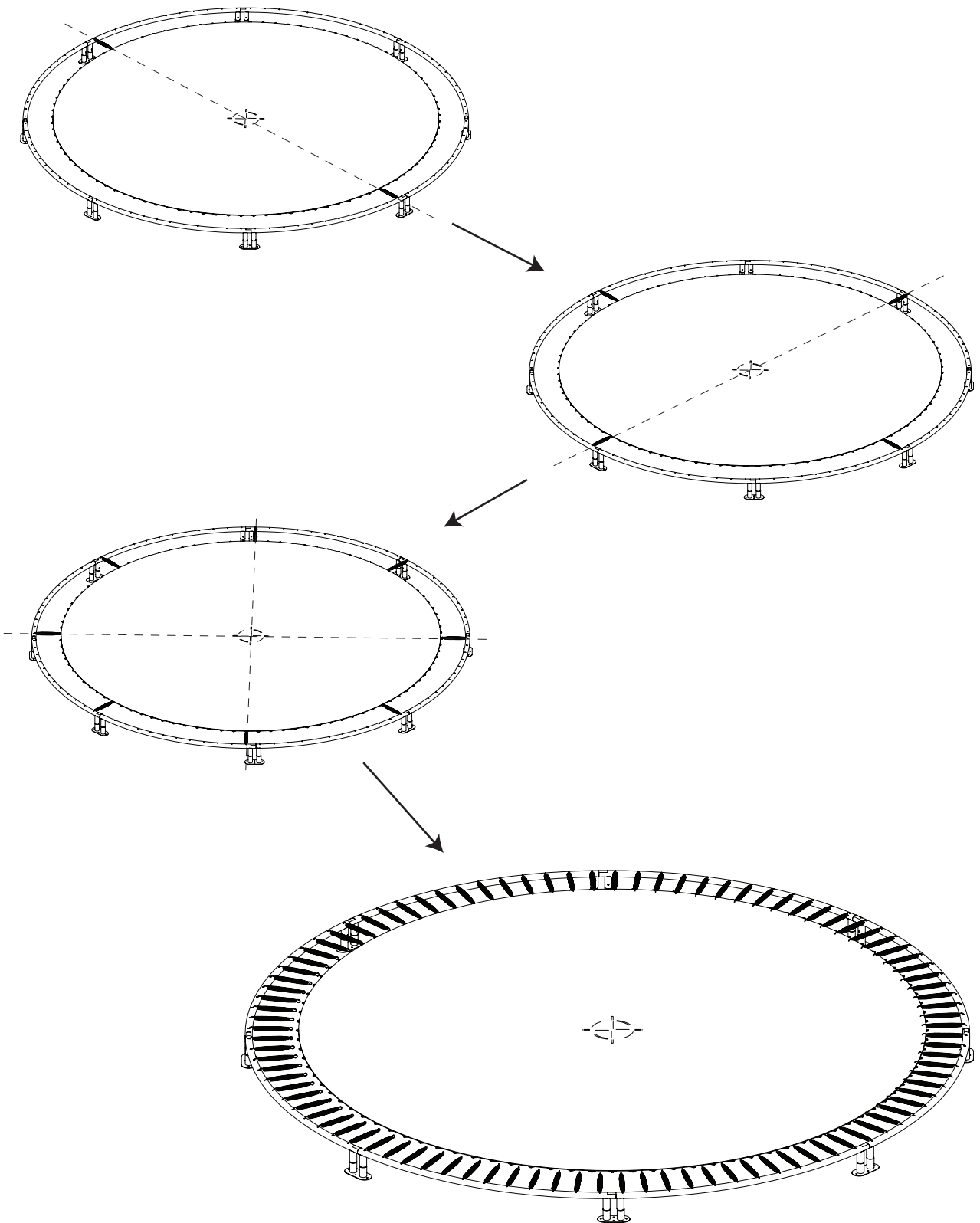
4

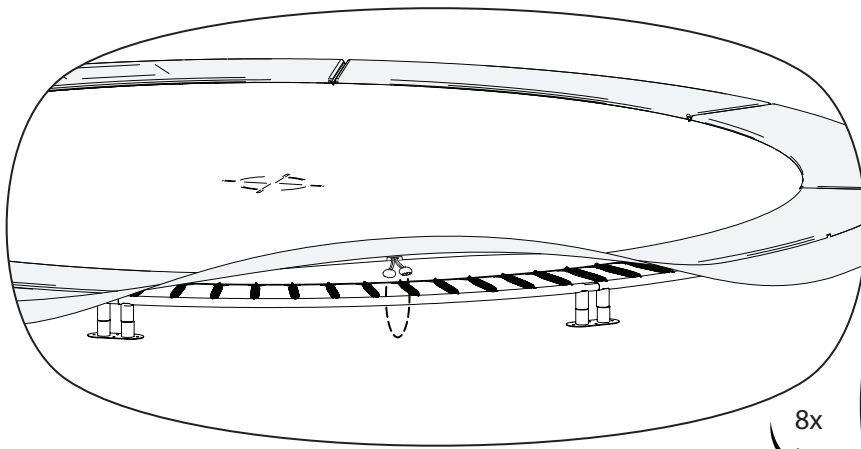
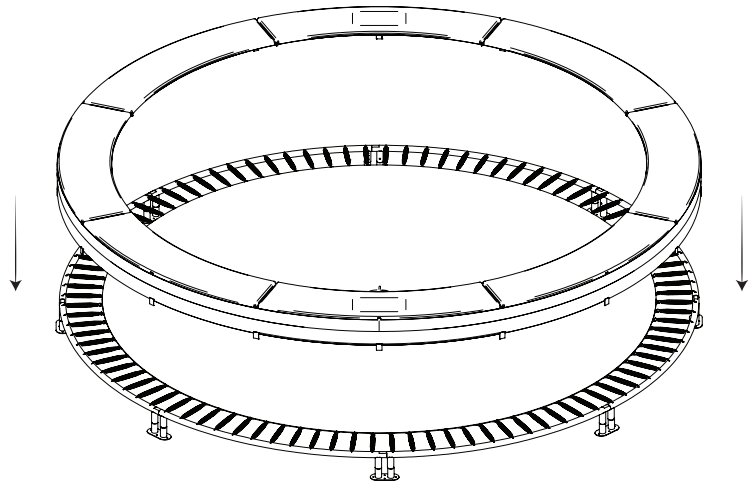
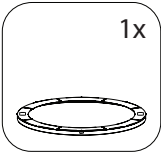


5

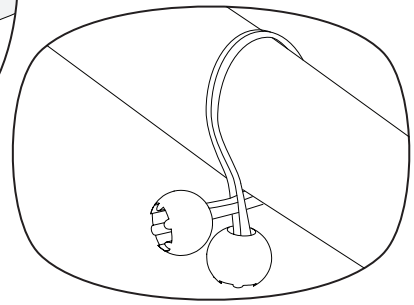


6

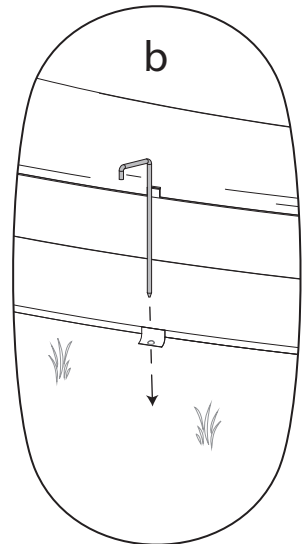
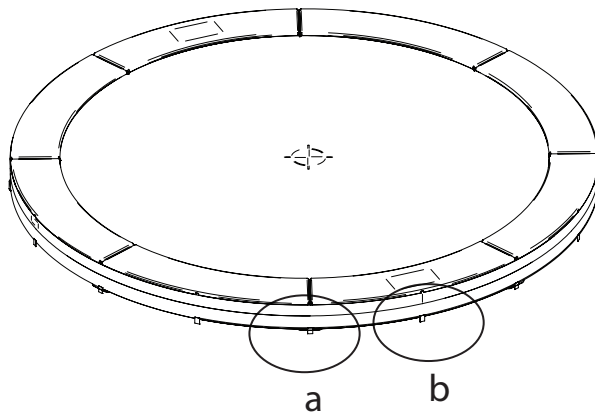
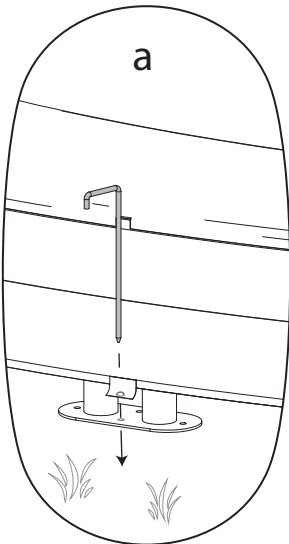
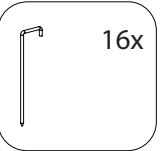




8x



6



7

Index

1. Introduction
2. Guidelines for safe use
 - 2.1 Intended use
 - 2.1.1 Before use
 - 2.1.2 During use
 - 2.2 Restrictions of use
 - 2.3 Warnings
 - 2.4 Instructions for use
3. Care and Maintenance
4. Guarantee
 - 4.1 Guarantee period
 - 4.2 Guarantee regulations

Introduction

Trampoline jumping is healthy and fun. Besides being a fun activity, it also lowers stress and improves your physical condition and blood circulation. Trampoline jumping is for young and old. We hope that you get years of pleasure from your trampoline and we thank you for purchasing the BERG trampoline.

This manual provides tips about assembly, safe use and jumping instructions for many years of trouble-free use. Jumping on a trampoline is not dangerous as long as you follow the safety instructions.

The frame of this BERG trampoline is galvanized in order to protect it against corrosion. If you follow the tips about maintenance and care of your trampoline, you are sure to have infinite fun with your trampoline.

We advise you to study this manual thoroughly prior to using the BERG trampoline and to store it in a safe place.

BERG Toys wishes you a lot of jumping fun!

2. Guidelines for safe use

BERG Toys or the dealer cannot be held responsible for improper use of this product. Please read these guidelines for use and instruct the user on how to properly and safely use this product. For additional information concerning the trampoline equipment, please contact your dealer.

2.1 Intended use

Only use your BERG Toys product as instructed below. Any unauthorized use could result in serious injuries to the user and/or damage the product. Read all instructions before using the trampoline. Warnings and instructions for the care, maintenance, and use of this trampoline are included to promote safe, enjoyable use of this equipment.

2.1.1 Before use

- To prevent injury, inspect the BERG trampoline before each use, referring to the assembly instructions. Replace any worn, defective, or missing parts. Also make sure the frame padding is correctly and securely positioned.
- Make sure the area underneath the BERG trampoline is clear.
- Ensure that the BERG trampoline is level. A spirit level may prove helpful, or you can put a ball in the middle of the canvas, then adjust the leg height until the ball stops rolling away from the middle.
- Only use the BERG trampoline when it is clean and dry.
- For information concerning skill training, contact a certified trampoline instructor.
- Before starting to jump, remove shoes, glasses, chains, ornaments, clasps and other sharp objects and empty your pockets.
- There must be a clearing (free of trees, fences and any other obstacle) of at least 2 metres around the trampoline.
- It is required to have a minimum heightance of 7 metres measured from the surface on which the trampoline is standing.

2.1.2 During use

- Only 1 person at a time is permitted to make use of the BERG trampoline.
- Children and novices must always jump under supervision of a mature, experienced person.
- Only jump on the BERG trampoline with bare feet or socks.
- Climb on and off the BERG trampoline. It is a dangerous practice to jump from the trampoline to the floor or ground when dismounting, or to jump onto the trampoline when mounting.
- Learn fundamental bounces and body positions thoroughly before trying more advanced skills. A variety of trampoline activities can be carried out by performing the basic fundamentals in various series and combinations performing one fundamental after another, with or without feet bounces between them.
- Avoid bouncing too high. Stay low until bounce control and repeated landing in the centre of the trampoline can be accomplished. Control is more important than height.

2.2 Restrictions of use

- Do not allow more than one person on the trampoline. Use by more than one person at the same time can result in serious injury.
- The BERG trampoline is not recommended for use by children under 6 years of age.
- Avoid jumping when tired. Keep turns short.
- Avoid jumping on the edge of the mat and on the padding. Always jump in the middle of the mat.
- Do not sit or stand on the springs and never jump on the springs.
- Do not use the BERG trampoline while under the influence of alcohol or drugs.
- Bounce only when the surface of the bed is dry. Wind or air movement should be calm to gentle. The BERG trampoline must not be used in gusty or severe winds.
- Do not use the BERG trampoline as a springboard to another object, ground or vice versa, but climb up and down.
- Do not allow pets on the BERG trampoline, to avoid damage to the protective padding or the canvas

by paws or sharp claws.

- Modifications or self-repairs to the BERG trampoline are not allowed. Any repairs must be carried out in a professional manner. Please consult your BERG Toys dealer.



2.3 Warnings

- Do not attempt or allow somersaults. Landing on the head or neck can cause serious injury, paralysis, or death, even when landing in the middle of the bed.
- Do not allow more than one person on the trampoline. Use by more than one person at the same time can result in serious injury.
- The BERG trampoline is designed for 1 person at a time. The weight of the user may not exceed:

9ft	11ft	12,5ft	14ft
70kg	100kg	110kg	120kg

- Use trampoline only with mature, knowledgeable supervision.
- The BERG trampoline is not recommended for use by children under 6 years of age.
- Inspect the BERG trampoline before each use. Make sure the frame padding is correctly and securely positioned. Replace any worn, defective, or missing parts.
- Climb on and off the BERG trampoline. It is a dangerous practice to jump from the trampoline to the floor or ground when dismounting, or to jump onto the trampoline when mounting. Do not use the trampoline as a springboard to other objects.
- Always jump in the middle of the mat. Avoid jumping on the edge of the mat and on the padding.
- Stop bounce by flexing knees as feet come in contact with the trampoline bed. Learn this skill before attempting others.
- Learn fundamental bounces and body positions thoroughly before trying more advanced skills. A variety of trampoline activities can be carried out by performing the basic fundamentals in various series and combinations, performing one fundamental after another, with or without feet bounces between them.
- Avoid bouncing too high. Stay low until bounce control and repeated landing in the centre of the trampoline can be accomplished. Control is more important than height.
- While keeping the head erect, focus eyes on the trampoline toward the perimeter. This will help control bounce.
- Avoid bouncing when tired. Keep turns short.
- Properly secure the trampoline when not in use. Protect it against unauthorized use. If a trampoline ladder is used, the supervisor should remove it from the trampoline when leaving the area to prevent unsupervised access by children under 6 years of age.
- Keep objects away which could interfere with the performer. Maintain a clear area around the trampoline.
- Before starting to jump, remove glasses, chains, ornaments, clasps and other sharp objects and empty your pockets in order to prevent damaging the trampoline or injure the user.
- Do not use the trampoline while under the influence of alcohol or drugs.
- For additional information concerning the trampoline equipment, contact the manufacturer.
- Bounce only when the surface of the bed is dry. Wind or air movement should be calm to gentle. The trampoline must not be used in gusty or severe winds.
- Read all instructions before using the trampoline. Warnings and instructions for the care, maintenance, and use of this trampoline are included to promote safe, enjoyable use of this equipment.
- No objects or persons are allowed to be underneath the BERG trampoline.
- The use of fertilisers (artificial fertiliser, fertiliser pellets, etc.) is not allowed without a radius of 2 metres around the BERG trampoline. Using such products can harm the resistance of the BERG trampoline.

2.4 Instructions for use

When using the BERG trampoline, moving properly requires good posture. The right posture and balance are achieved by tensing the muscles.

Good posture makes safe usage of the trampoline possible. When jumping, the body is exposed to shocks that need to be correctly absorbed. By tensing your muscles, you obtain better control over your balance and the jumping and rebounding strength of the body increases. A more relaxed posture leads to loss of energy and jumping and rebounding strength decreases. Start with the basic jumps and jumping positions and do not go any further before you have mastered these. Stop jumping by bending your knees as soon as your feet touch the mat.

Basic bounce

- Stand straight and hold your head erect.
- Focus your eyes on the jump mat.
- Swing your arms forward and point your toes downwards while in the air.
- Bring your feet together and point your toes downwards while in the air.
- Keep your feet about 40 cm apart when landing on the mat.



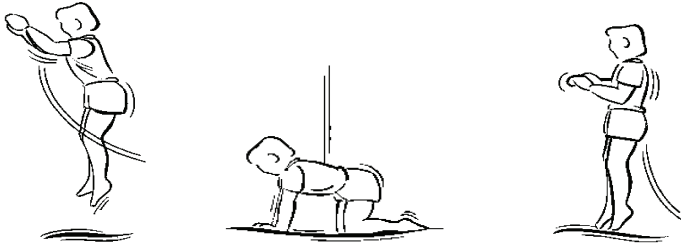
Knee drop

- Start with the basic bounce.
- Keep your eyes focused on the jump mat.
- Drop to your knees.
- Keep your back erect at the same time.
- Straighten up again to an erect position.



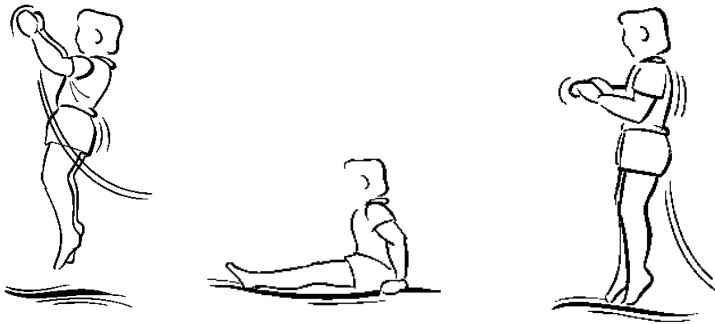
Hands and knees bounce

- Start with the basic bounce.
- Keep your eyes focused on the jump mat.
- Swing your arms forward and up in a circular motion.
- Drop to your hands and knees.
- Push yourself off with your hands and straighten up again to an erect position.



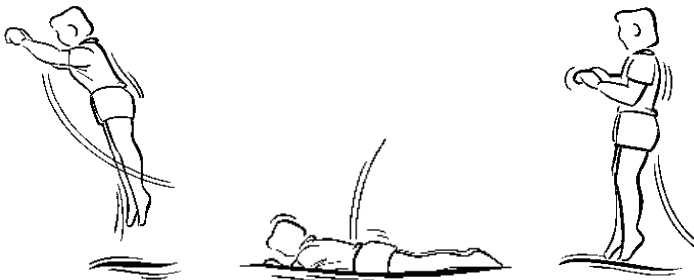
Seat drop

- Start with the basic bounce.
- Keep your eyes focused on the jump mat.
- Drop to a flat sitting position.
- Place your hands on the jump mat along side your hips.
- Push yourself off with your hands and straighten up again to an erect position.



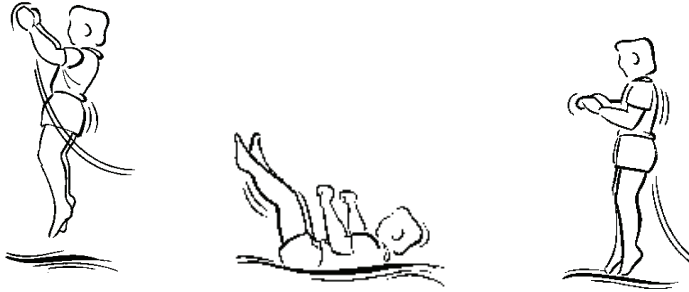
Front bounce

- Start with the basic bounce and land on your stomach.
- Keep our head erect.
- Keep head up and arms extended forward on the mat.
- Push with arms to return to a standing position.



Back drop

- Start with the basic bounce and land on your back.
- Keep chin pressed against your chest during landing.
- Kick forward and up with legs when returning to a standing position.



3. Care and maintenance

The BERG trampoline is manufactured using high-quality materials and is intended for many years of enjoyment. Proper maintenance and good care guarantee a long lifespan and assist in preventing injuries.

The following guidelines should be observed.

Inspect the BERG trampoline before each use according to the assembly manual and replace broken or missing parts. Neglecting regular maintenance can lead to a risk for users.

Pay attention to:

- The condition of the joints of the frame components (broken welds or bent frame).
- The condition of the springs (broken or extensively stretched springs).
- The condition of the jump mat (damage, incorrect tension or sagging mat).
- Missing, improperly positioned, or insecurely attached protective padding.
- Punctures, frays, tears, or holes worn in the mat or protective padding.
- Deterioration in the stitching or fabric of the mat or protective padding.
- Sharp protrusions on the frame.

When not using the trampoline for longer periods (for example winter) storing the BERG trampoline is highly recommended.

You can clean the jump mat and the padding with a cloth and cold water. NEVER use solvents, dishwashing liquid, detergent or hot water. We recommend covering your BERG trampoline with a BERG protective cover in order to prevent soiling.

Contact our dealers for ordering original parts of the BERG trampoline.

4. Guarantee

4.1 Guarantee period

BERG trampolines are high-quality pieces of equipment. BERG Toys offers you two types of guarantee for years of carefree fun:

1) Function guarantee

A function guarantee is a guarantee on the functional use of the trampoline. Please consult the table below for the term of this guarantee.

Frame	Padding	Jump mat	Springs
10 yrs	2 yrs	2 yrs	5 yrs

The safety net and frame net are subject to a guarantee period of 2 years, while the other accessories are subject to a guarantee period of 1 year. Parts that are susceptible to wear and tear (such as elastics) and weather influence such as rust and discolouration are excluded from the guarantee.

2) Five-year service guarantee

BERG Toys guarantees that you can order parts up to five years after production, in contrast to many other manufacturers. This will guarantee years of fun, and it is a unique service in the trampoline segment.

4.2 Guarantee regulations

The owner of the product can only claim a guarantee by presenting the original bill for the purchase to BERG Toys or the dealer from whom the product was bought. The guarantee only applies to material and constructions faults and with respect to this product or parts thereof. The guarantee lapses if:

- The product is used in an erroneous, negligent or unsuitable way.
- The product is not assembled and maintained in accordance with the instruction manual.
- Technical repairs made to the product are not carried out in a professional manner.
- Parts subsequently fitted do not correspond to the technical specifications of the product in question or their fitting has not been carried out correctly.
- Damage caused by climatological influences such as rust, UV rays or normal wear and tear.
- Incorrect lowering of BERG Toys trampolines.
- The product is used for rental purposes or is placed, in some other manner, at the disposal of several unspecified persons.

During the guarantee period, all material and construction faults assessed by BERG Toys will be repaired or replaced at the discretion of BERG Toys after assessment of the facts by BERG toys. Repair, free of charge, provides that the guarantee period mentioned in article 4.1 is still in progress.

The guarantee can only be invoked by the owner of the BERG trampoline by having the product inspected by a BERG Toys dealer.

The owner of this product can only lay claim under this guarantee by providing the product for inspection by a BERG Toys dealer. At the same time the original purchase bill must be handed over to the dealer. If the owner has moved, or the dealer is no longer available, when asked, BERG Toys will inform the owner of the nearest BERG Toys dealer.

If the claim under the guarantee is refused, all costs incurred must be paid by the owner.

This guarantee is not transferable to third parties.



BERG InGround Champion

EN

Inhoud

1. Introductie
2. Gebruiksrichtlijnen
 - 2.1 Beoogd gebruik
 - 2.1.1 Voor gebruik
 - 2.1.2 Tijdens gebruik
 - 2.2 Beperkingen aan het gebruik
 - 2.3 Waarschuwingen
 - 2.4 Gebruiksaanwijzingen
3. Onderhoud
4. Garantie
 - 4.1 Garantie periode
 - 4.2 Garantie regeling

1. Introductie

Op een trampoline springen is leuk en gezond. Daarnaast werkt het ook stressverlagend en verbetert het de conditie en de bloedsomloop. Trampoline springen is voor jong en oud.

Wij hopen dan ook dat u veel plezier zult beleven aan uw trampoline en bedanken u voor het aanschaffen van de BERG Trampoline.

Voor jarenlang probleemloos gebruik vindt u in deze handleiding tips voor montage, veiligheid, onderhoud en springinstructies. Trampoline springen is niet gevaarlijk zolang deze tips en instructies worden opgevolgd.

Het frame van de BERG Trampoline is gegalvaniseerd om het tegen corrosie te beschermen. Als u de tips over onderhoud en verzorging van uw trampoline in acht neemt, bent u verzekerd van eindelijk plezier van uw trampoline.

Wij adviseren om vóór het gebruik van de BERG Trampoline deze handleiding grondig te bestuderen en deze te bewaren.

BERG Toys wenst u heel veel springplezier!

2. Richtlijnen voor veilig gebruik

BERG Toys of de dealer kan niet verantwoordelijk gehouden worden voor ongepast gebruik. Lees deze richtlijnen voor gebruik en instrueer de gebruiker hoe veilig gebruik te kunnen maken van dit product. Voor extra informatie over de trampoline kunt u contact op nemen met uw dealer.

2.1 Beoogd gebruik

Gebruik het BERG Toys product enkel op de manier hieronder omschreven. Elk ongeautoriseerd gebruik kan resulteren in ernstige verwondingen bij de gebruiker en beschadigingen aanrichten aan het product. Lees alle instructies voor het gebruiken van de trampoline. In deze handleiding zijn waarschuwingen, instructies voor onderhoud en gebruik van de trampoline inbegrepen om veiligheid te waarborgen en het gebruik tot een plezier te maken.

2.1.1 Voor gebruik

- Controleer de BERG trampoline voor elk gebruik volgens de montage-instructies, om letsel te voorkomen. Vervang versleten of defecte onderdelen. Zorg er voor dat de afdekrand van het frame op de juiste en veilige manier vast zit.
- Zorg ervoor dat het gebied onder de BERG trampoline vrij is.
- Zorg ervoor dat de BERG trampoline waterpas staat. Een waterpas kan nuttig zijn. U kunt ook een bal in het midden van het springdoek plaatsen en vervolgens de pothoogte van de BERG trampoline aanpassen totdat de bal stopt met weggrollen van het midden van het springdoek.
- Gebruik de BERG trampoline enkel wanneer deze schoon en droog is.
- Voor informatie over vaardigheidstraining, neem contact op met een gecertificeerde trampoline-instructeur.
- Voordat u begint met springen dient u uw schoenen, bril, kettingen, sieraden, gespen en overige scherpe voorwerpen af te doen en dient u uw zakken te legen om beschadigingen aan de trampoline of verwondingen aan de gebruiker te voorkomen.
- Rondom de trampoline dient een vrije ruimte te zijn van minimaal 2 meter, vrij van bomen, afsteringen of ieder ander obstakel.
- Boven de trampoline dient een vrije ruimte te zijn van minimaal 7 meter vanaf de ondergrond waarop de trampoline staat

2.1.2 Tijdens gebruik

- Kinderen en beginners mogen alleen springen onder toezicht van een volwassene, ervaren persoon.
- Alleen op de BERG trampoline springen met blote voeten of sokken.
- Klim op en af de BERG trampoline. Het is gevaarlijk om van de trampoline op de grond te springen of andersom.
- Samengestelde trampoline oefeningen kunnen uitgevoerd worden door het combineren van verschillende enkelvoudige sprongen met of zonder basissprongen hier tussen.
- Spring niet te hoog. Controle over het springen is belangrijker dan. Blijf laag springen tot de sprong onder controle is en er herhaaldelijk in het midden van het springdoek kan worden geland.

2.2 Beperkingen aan het gebruik

- Het is niet toegestaan om met meer dan 1 persoon tegelijkertijd gebruik te maken van de trampoline. Dit kan leiden tot ernstig letsel.
- De BERG trampoline wordt niet aanbevolen voor gebruik door kinderen jonger dan 6 jaar.
- Vermijd springen bij vermoeidheid.
- Spring niet op de rand van het springdoek en afdekrand van het frame. Spring alleen in het midden van het springdoek.
- Zit, sta of spring nooit op de veren van de trampoline.
- Gebruik de BERG trampoline nooit wanneer u onder invloed van alcohol of drugs bent.
- Spring alleen op de trampoline wanneer het oppervlak van het springdoek droog is. Spring nooit wanneer er onstuimige of harde wind staat.
- Gebruik de BERG trampoline nooit als springplank naar een ander object, grond of andersom. Klim

altijd op en af de trampoline.

- Sta huisdieren op uw BERG trampoline nooit toe om schade aan de afdekrand van het frame en het springdoek door poten of scherpe klauwen te voorkomen.
- Wijzigingen of zelfstandige reparaties aan de BERG trampoline zijn niet toegestaan. Eventuele reparaties moeten professioneel worden uitgevoerd. Neem hiervoor contact op met uw BERG Toys dealer.



2.3 Waarschuwingen

- Maak geen salto's en sta dit nooit toe. Een landing op het hoofd of nek kan zelfs in het midden van het springdoek leiden tot ernstig letsel.
- Sta niet toe dat meer dan 1 persoon tegelijkertijd gebruik maakt van de trampoline. Het gebruik door meer dan 1 persoon tegelijkertijd kan leiden tot ernstig letsel.
- De BERG trampoline is voor gebruik door 1 persoon tegelijkertijd bedoeld. Het gewicht van de gebruiker mag nooit onderstaande waarde overschrijden:

9ft	11ft	12,5ft	14ft
70kg	100kg	110kg	120kg

- Gebruik de trampoline alleen met volwassen en deskundig toezicht.
- De BERG trampoline wordt niet aanbevolen voor gebruik door kinderen jonger dan 6 jaar.
- Controleer de BERG trampoline voor elk gebruik volgens de montage-instructies, om letsel te voorkomen. Vervang versleten of defecte onderdelen. Zorg er voor dat de afdekrand van het frame op de juiste en veilige manier vast zit.
- Klim op en af de BERG trampoline. Het is gevaarlijk om van de trampoline op de grond te springen of andersom.
- Spring niet op de rand van het springdoek en afdekrand van het frame. Spring alleen in het midden van het springdoek.
- Stoppen met springen bereikt u door uw knieën te buigen wanneer uw voeten in contact komen met het springdoek van de trampoline. Leer deze vaardigheid voordat u andere vaardigheden gaat oefenen.
- Samengestelde trampoline oefeningen kunnen uitgevoerd worden door het combineren van verschillende, enkelvoudige achtereenvolgende sprongen of met basisprongen hier tussen.
- Spring niet te hoog. Controle over het springen is belangrijker dan. Blijf laag springen tot de sprong onder controle is en er herhaaldelijk in het midden van het springdoek kan worden geland.
- Sta rechtop en houd het hoofd recht. Houd de ogen op het springdoek gericht. Hiermee behoudt u controle over de sprong.
- Vermijd springen bij vermoeidheid.
- Stel uw trampoline veilig wanneer deze niet in gebruik is. Bescherm de trampoline tegen onbevoegd gebruik. Wanneer er gebruik wordt gemaakt van een trampoline ladder dient deze door de eigenaar verwijderd te worden wanneer het gebied van de trampoline verlaten wordt. Hiermee voorkomt u toegang van kinderen onder 6 jaar zonder toezicht.
- Houd voorwerpen die in aanraking kunnen komen met de gebruiker uit de buurt van trampoline. Zorg voor een vrij gebied rondom de trampoline.
- Voordat u begint met springen dient u uw schoenen, bril, kettingen, sieraden, gespen en overige scherpe voorwerpen af te doen en dient u uw zakken te legen om beschadigingen aan de trampoline of verwondingen aan de gebruiker te voorkomen.
- Gebruik de trampoline nooit onder invloed van alcohol of drugs.
- Neem contact op met de fabrikant voor meer informatie over de trampoline.
- Spring alleen op de trampoline wanneer het oppervlak van het springdoek droog is. Spring nooit wanneer er onstuimige of harde wind staat.
- Lees alle instructies voor het gebruik van de trampoline. In deze handleiding zijn waarschuwingen, instructies voor onderhoud en gebruik van de trampoline inbegrepen om veiligheid te waarborgen en het gebruik tot een plezier te maken.
- Objecten en personen mogen zich niet onder de BERG trampoline bevinden.

- Het gebruik van meststoffen (kunstmest, mestkorrels, etc.) is niet toegestaan in een straal van 2 meter rond de BERG trampoline. Het gebruik van dergelijke producten kan schadelijk zijn voor het materiaal van de trampoline.

2.4 Gebruiksaanwijzingen

Bij gebruik van de BERG trampoline is het een vereiste een juiste houding aan te nemen. De juiste houding en balans worden verkregen door het aanspannen van de spieren en maakt het mogelijk om veilig trampoline te kunnen springen.

Tijdens het springen wordt het lichaam blootgesteld aan schokken die op een correcte manier moeten worden opgevangen. Wanneer u uw spieren aanspant verkrijgt u een betere controle over uw evenwicht en de spring- en veerkracht van het lichaam neemt toe. Een meer ontspannen houding leidt tot verlies aan energie en de spring- en veerkracht van het lichaam neemt af. Begin met de basis sprongen en probeer geen ingewikkelde sprongen voordat u de basissprongen beheerst. Om te stoppen met springen dient u uw knieën in te trekken wanneer uw voeten met het springdoek in contact komen.

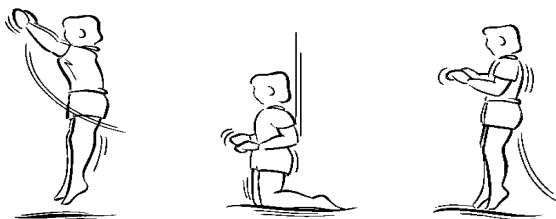
Basissprong

- Sta rechtop en houd het hoofd recht.
- Houd de ogen op het springdoek gericht.
- Zwaai de armen vooruit en omhoog in een cirkelvormige beweging.
- Houd de voeten bij elkaar en richt de tenen tijdens het springen naar beneden.
- Houd de voeten bij het landen ongeveer veertig cm uit elkaar.



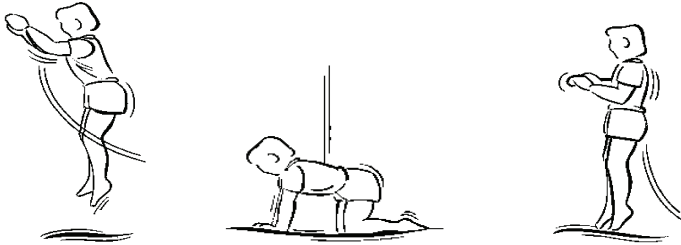
Kniesprong

- Start met de basissprong.
- Houd de ogen op het springdoek gericht.
- Land op de knieën.
- Houd ondertussen uw rug recht.
- Kom weer overeind in een rechte houding.

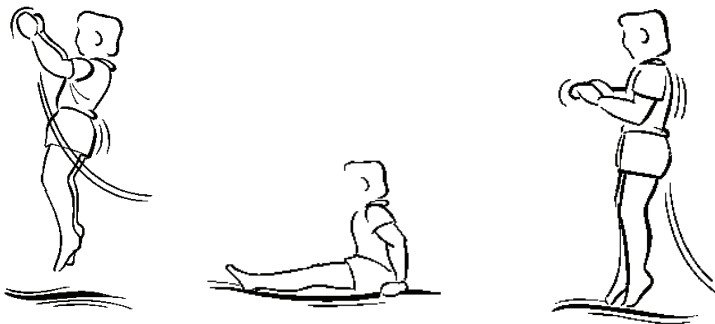


Hand en kniesprong

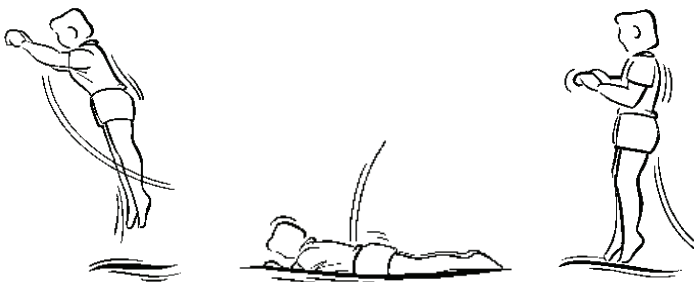
- Start met de basissprong.
- Houd de ogen op het springdoek gericht.
- Zwaai de armen vooruit en omhoog in een cirkelvormige beweging.
- Land op handen en knieën.
- Duw af met de handen en kom in rechte houding overeind.

*Zitsprong*

- Start met de basissprong.
- Houd de ogen op het springdoek gericht.
- Land in zithouding.
- Plaats de handen naast de heupen op het springdoek.
- Duw af met de handen en kom in rechte houding overeind.

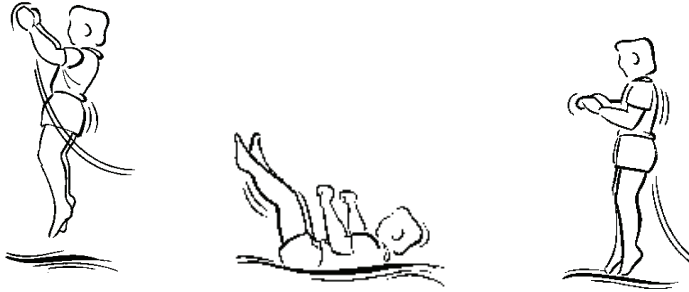
*Buiksprong*

- Start met de basissprong en kom neer op de buik.
- Houd het hoofd recht.
- Houd de armen voor het hoofd op het springdoek.
- Duw af met de armen om recht terug te komen.



Rugsprong

- Start met de basissprong en kom neer op de rug.
- Houd tijdens het neerkomen de kin tegen de borst geklemd.
- Sla de benen vooruit en omhoog wanneer u recht overeind komt.



3. Onderhoud

De BERG trampoline is gemaakt van hoogwaardig materiaal en bedoeld om er vele jaren plezier aan te beleven. Een juist onderhoud en een goede verzorging garanderen een lange levensduur en helpen letsel te voorkomen.

De volgende richtlijnen dienen in acht genomen te worden.

Inspecteer de BERG trampoline voor elk gebruik aan de hand van de montagehandleiding en vervang defecte of ontbrekende onderdelen. Verwaarlozing van onderhoud kan leiden tot verhoogde risico's voor de gebruiker.

Let hierbij op:

- De conditie van de verbindingen van het frame (gebroken lassen of gebogen frame).
- De conditie van de veren (gebroken of overmatige strekking).
- De conditie van het springdoek (schade, onjuiste spanning of doorzakken van de mat).
- Ontbrekende of onjuiste en onveilige geplaatste afdekrand van het frame.
- Verkeerde steken, rafels, scheuren of gaten in het springdoek of afdekrand van het frame.
- Verslechtering van de stiksels of weefsel van het springdoek of afdekrand van het frame.
- Scherpe uitsteeksels op het frame.

Wanneer de trampoline voor een lange periode niet wordt gebruikt (bijvoorbeeld in de winter), wordt aangeraden de trampoline op te bergen.

U kunt het springdoek en de afdekrand van het frame reinigen met een doek en koud water. Gebruik in geen geval oplosmiddelen, afwasmiddel, zeepoeder of heet water. Om te voorkomen dat de BERG trampoline vuil wordt wanneer deze buiten gebruik is, raden we aan uw BERG trampoline af te dekken met een BERG afdekhoes.

Voor het bestellen van originele BERG trampoline onderdelen verwijzen we u naar uw dealer.

4. Garantie

4.1 Garantie periode

BERG Trampolines zijn van uitstekende kwaliteit. Om u jarenlang onbezorgd speelplezier te bieden op onze trampolines biedt BERG Toys u twee vormen van garantie:

1) Functie garantie

Functie garantie is de garantie op het functionele gebruik van de tampoline. Voor de duur van deze garantie, zie onderstaande tabel.

Frame	Beschermand	Springdoek	Veren
10 yrs	2 yrs	2 yrs	5 yrs

Op het safety net en frame net geldt een garantietermijn van 2 jaar en op de overige accessoires geldt een garantietermijn van 1 jaar. Slijtagegevoelige onderdelen (bijv. elastieken) en weersinvloeden als roest en verkleuring zijn uitgesloten van garantie.

2) Vijfjarige service garantie

BERG Toys garandeert u dat onderdelen kunnen worden nageleverd tot vijf jaar na productie. Dit in tegenstelling tot vele andere fabrikanten. Dit garandeert u jarenlang speelplezier en is een unieke service in het trampoline segment.

4.2 Garantie regeling

De eigenaar van het product kan slechts aanspraak maken op de garantie door de originele aankoopnota aan te bieden. De garantie geldt alleen voor materiaal- en constructiefouten met betrekking tot dit product en diens onderdelen. De garantie vervalt wanneer:

- Dit product onjuist en/of onzorgvuldig gebruikt is.
- Dit product niet conform het instructieboekje geassembleerd en onderhouden is.
- Technische reparaties aan dit product niet op vakkundige wijze verricht zijn.
- Naderhand gemonteerde onderdelen gebruikt zijn die niet overeen komen met de technische specificaties van het betreffende product, of onjuist gemonteerd zijn.
- Gebreken ontstaan als gevolg van klimatologische invloeden, zoals roest of normale verwerking door o.a. UV-straling.
- Het product wordt gebruikt voor verhuur of op andere wijze aan meerdere ongespecificeerde personen ter beschikking staat.
- Inground trampolines niet correct zijn ingegraven.

Gedurende de garantieperiode zullen alle door BERG Toys vastgestelde materiaal- of constructiefouten ter keuze van BERG Toys worden gerepareerd, dan wel worden vervangen. Reparatie, op kosten van BERG Toys, is alleen mogelijk wanneer de garantieperiode vermeld in 4.1 nog aan de gang is.

De eigenaar van dit product kan slechts aanspraak maken op de garantie door het product ter inspectie aan te bieden bij een BERG Toys dealer. Gelijktijdig dient het originele aankoopnota aan de dealer te worden overhandigd. Indien de eigenaar is verhuisd of de dealer niet meer beschikbaar is, zal BERG Toys desgevraagd opgaaf doen van de dichtstbijzijnde BERG Toys dealer.

Indien de garantieaanvraag afgewezen wordt, zijn alle gemaakte kosten voor rekening van de eigenaar.

Deze garantie is niet overdraagbaar aan derden.



BERG InGround Champion

NL

Inhaltsverzeichnis

1. Einleitung
2. Richtlinien für die sichere Verwendung
 - 2.1 Bestimmungsgemäße Verwendung
 - 2.1.1 Vor der Verwendung
 - 2.1.2 Während der Verwendung
 - 2.2 Nutzungseinschränkungen
 - 2.3 Warnhinweise
 - 2.4 Gebrauchshinweise
3. Pflege und Wartung
4. Garantie
 - 4.1 Garantiezeit
 - 4.2 Garantiebestimmungen

Einleitung

Trampolinspringen macht Spaß und ist gesund. Es ist nicht nur eine angenehme Tätigkeit sondern verringert auch Stress, verbessert die Kondition und die Blutzirkulation. Trampolinspringen ist geeignet für Jung und Alt. Wir hoffen, dass auch Sie viel Spaß mit Ihrem Trampolin haben und bedanken uns für den Kauf des BERG Trampolins.

Um Ihr Trampolin jahrelang problemlos benutzen zu können, finden Sie in dieser Gebrauchsanleitung Tipps zur Montage, Sicherheit, Wartung und Sprunginstruktionen. Trampolinspringen ist nicht gefährlich, solange diese Tipps und Anweisungen befolgt werden.

Der Rahmen dieses BERG Trampolin ist zum Schutz gegen Korrosion galvanisiert. Wenn Sie außerdem die Tipps zur Wartung und Pflege Ihres Trampolins beachten, haben Sie sicher lange Zeit Freude an ihrem Trampolin.

Wir empfehlen Ihnen, vor der Benutzung des BERG Trampolins diese Gebrauchsanleitung gründlich zu lesen und sie aufzubewahren.

BERG Toys wünscht Ihnen viel Spaß beim Springen!

2. Richtlinien für die sichere Verwendung

BERG Toys oder der Händler können bei einer unsachgemäßen Nutzung dieses Produkts nicht zur Verantwortung gezogen werden. Bitte lesen Sie diese Richtlinien vor dem Gebrauch durch und unterweisen Sie den Benutzer, wie dieses Produkt sachgemäß und sicher verwendet wird. Zu weiteren Informationen über das Trampolin setzen Sie sich bitte mit Ihrem Händler in Verbindung.

2.1 Bestimmungsgemäße Verwendung

Verwenden Sie Ihr Produkt von BERG Toys ausschließlich gemäß den nachfolgenden Anweisungen. Eine unbefugte Nutzung könnte schwere Verletzungen für den Verwender und/oder Schäden am Produkt hervorrufen. Bitte lesen Sie vor der Nutzung des Trampolins sämtliche Anweisungen. Enthalten sind Warnhinweise und Anweisungen für die Pflege, die Wartung und die Nutzung dieses Trampolins, um die sichere und vergnügliche Verwendung dieses Geräts zu fördern.

2.1.1 Vor der Verwendung

- Zur Vermeidung von Verletzungen kontrollieren Sie das BERG-Trampolin vor jeder Nutzung anhand der Montageanweisungen. Ersetzen Sie verschlissene, defekte oder fehlende Teile. Überprüfen Sie außerdem, ob der Schutzrand richtig und sicher in Position gebracht ist.
- Sorgen Sie dafür, dass der Bereich unter dem BERG-Trampolin frei ist.
- Stellen Sie sicher, dass das BERG-Trampolin gerade aufgestellt ist. Dazu kann eine Wasserwaage hilfreich sein. Sie können aber auch einen Ball in die Mitte der Bespannung legen und dann die Höhe der Füße einstellen, bis der Ball nicht mehr aus der Mitte wegrollt.
- Benutzen Sie das BERG-Trampolin ausschließlich in sauberem und trockenem Zustand.
- Zu Informationen über die Vermittlung von Trampolintechniken setzen Sie sich bitte mit einem zertifizierten Trampolin-Trainer in Verbindung.
- Vor dem Springen legen Sie bitte Schuhe, Brillen, Ketten, Schmuck, Spangen und andere scharfe Gegenstände ab und leeren Sie Ihre Hosentaschen.
- Rund um das Trampolin muss ein Freiraum- frei von Bäumen, Zäunen oder jeglichen anderen Hindernissen- von mindestens 2 Metern vorhanden sein.
- Über dem Trampolin muss ein Freiraum von 7 Metern, gemessen ab dem Boden, auf dem das Trampolin steht, vorhanden sein.

2.1.2 Während der Verwendung

- Das BERG-Trampolin darf ausschließlich jeweils von einer Person zur selben Zeit genutzt werden.
- Kinder und Neulinge müssen stets unter Aufsicht eines erfahrenen Erwachsenen springen.
- Springen Sie auf dem BERG-Trampolin ausschließlich barfuß oder auf Socken.
- Klettern Sie auf das Trampolin bzw. vom Trampolin herunter. Es ist gefährlich, beim Absteigen vom Trampolin auf den Boden oder die Erde zu springen bzw. beim Aufsteigen auf das Trampolin zu springen.
- Erlernen Sie die grundlegenden Sprünge und Körperpositionen sorgfältig, bevor Sie fortgeschrittenere Techniken ausprobieren. Verschiedenste Trampolinaktivitäten lassen sich durch elementare Sprünge in unterschiedlichen Serien und Kombinationen aus mehreren elementaren Aktionen hintereinander ausführen, die mit oder ohne Fußsprünge dazwischen erfolgen.
- Springen Sie nicht zu hoch. Bleiben Sie in niedriger Höhe, bis Sie die Sprünge kontrollieren und wiederholtes Landen in der Mitte des Trampolins schaffen. Kontrolle ist wichtiger als Höhe.

2.2 Nutzungseinschränkungen

- Lassen Sie nicht mehr als jeweils eine Person zur selben Zeit auf das Trampolin. Bei einer Nutzung von mehr als einer Person zur selben Zeit können schwere Verletzungen entstehen.
- Das BERG-Trampolin wird nicht für Kinder unter 6 Jahren empfohlen.
- Springen Sie nicht, wenn Sie müde sind. Halten Sie Drehungen kurz.
- Springen Sie nicht auf die Kante der Matte oder auf den Schutzrand. Springen Sie immer in der Mitte der Matte.
- Setzen und stellen Sie sich nicht auf die Federn und springen Sie niemals auf den Federn.
- Benutzen Sie das BERG-Trampolin nicht, wenn Sie unter dem Einfluss von Alkohol, Drogen oder Medikamenten stehen.
- Springen Sie nur dann, wenn die Mattenoberfläche trocken ist. Wind oder Luftbewegungen sollten ruhig

bis leicht sein. Das BERG-Trampolin darf nicht bei böigen oder starken Winden genutzt werden.

- Verwenden Sie das BERG-Trampolin nicht als Sprungbrett auf ein anderes Objekt oder den Boden oder umgekehrt, sondern klettern Sie auf das Trampolin bzw. vom Trampolin herunter.
- Lassen Sie keine Haustiere auf das BERG-Trampolin, um Beschädigungen am Schutzrand oder an der Bespannung durch Pfoten oder scharfe Krallen zu vermeiden.
- Änderungen oder eigene Reparaturen am BERG-Trampolin sind nicht gestattet. Reparaturen müssen fachgerecht ausgeführt werden. Bitte fragen Sie Ihren BERG Toys-Händler.



2.3 Warnhinweise

- Versuchen Sie keine Saltos und lassen Sie keine Saltos zu. Bei einer Landung auf dem Kopf oder Genick können schwere Verletzungen oder Lähmungen auftreten oder es kann sogar der Tod eintreten, auch wenn die Landung in der Mitte der Matte erfolgt.
- Lassen Sie nicht mehr als jeweils eine Person zur selben Zeit auf das Trampolin. Bei einer Nutzung von mehr als einer Person zur selben Zeit können schwere Verletzungen entstehen.
- Das BERG-Trampolin ist für jeweils eine Person zur selben Zeit ausgelegt. Das maximal zulässige Gewicht des Benutzers beträgt:

9ft	11ft	12,5ft	14ft
70kg	100kg	110kg	120kg

- Benutzen Sie das Trampolin ausschließlich unter Aufsicht eines erfahrenen Erwachsenen.
- Das BERG-Trampolin wird nicht für Kinder unter 6 Jahren empfohlen.
- Kontrollieren Sie das BERG-Trampolin vor jeder Verwendung. Überprüfen Sie, ob der Schutzrand richtig und sicher in Position gebracht ist. Ersetzen Sie verschlissene, defekte oder fehlende Teile.
- Klettern Sie auf das Trampolin bzw. vom Trampolin herunter. Es ist gefährlich, beim Absteigen vom Trampolin auf den Boden oder die Erde zu springen bzw. beim Aufsteigen auf das Trampolin zu springen. Benutzen Sie das Trampolin nicht als Sprungbrett auf andere Objekte.
- Springen Sie immer in der Mitte der Matte. Springen Sie nicht auf die Kante der Matte oder auf den Schutzrand.
- Beenden Sie Sprünge, indem Sie die Knie beugen, wenn die Füße mit der Trampolinmatte in Berührung kommen. Lernen Sie diese Technik, bevor Sie andere ausprobieren.
- Erlernen Sie die grundlegenden Sprünge und Körperpositionen sorgfältig, bevor Sie fortgeschrittenere Techniken ausprobieren. Verschiedenste Trampolinaktivitäten lassen sich durch elementare Sprünge in unterschiedlichen Serien und Kombinationen aus mehreren elementaren Aktionen hintereinander ausführen, die mit oder ohne Fußsprünge dazwischen erfolgen.
- Springen Sie nicht zu hoch. Bleiben Sie in niedriger Höhe, bis Sie die Sprünge kontrollieren und wiederholtes Landen in der Mitte des Trampolins schaffen. Kontrolle ist wichtiger als Höhe.
- Halten Sie die Kopf aufrecht und die Augen auf das Trampolin hin zum Rand gerichtet. Das hilft bei einer Kontrolle der Sprünge.
- Springen Sie nicht, wenn Sie müde sind. Halten Sie Drehungen kurz.
- Sichern Sie das Trampolin ordnungsgemäß, wenn es nicht in Gebrauch ist. Schützen Sie das Trampolin vor einer unbefugten Nutzung. Wenn eine Trampolinleiter verwendet wird, hat die Aufsichtsperson die Leiter beim Verlassen des Bereichs zu entfernen, um einen unbeaufsichtigten Zugang von Kindern unter 6 Jahren zu verhindern.
- Halten Sie Gegenstände fern, die den Benutzer behindern könnten. Sorgen Sie rund um das Trampolin für einen freien Bereich.
- Vor dem Springen legen Sie bitte Brillen, Ketten, Schmuck, Spangen und andere scharfe Gegenstände ab und leeren Sie Ihre Hosentaschen, um eine Beschädigung des Trampolins oder Verletzung des Benutzers zu verhindern.
- Benutzen Sie das Trampolin nicht, wenn Sie unter dem Einfluss von Alkohol, Drogen oder Medikamenten stehen.
- Zu weiteren Informationen über das Trampolin setzen Sie sich bitte mit dem Hersteller in Verbindung.
- Springen Sie nur dann, wenn die Mattenoberfläche trocken ist. Wind oder Luftbewegungen sollten ruhig bis leicht sein. Das Trampolin darf nicht bei böigen oder starken Winden genutzt werden.

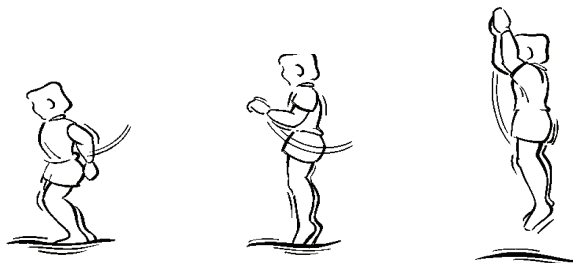
- Bitte lesen Sie vor der Nutzung des Trampolins sämtliche Anweisungen. Enthalten sind Warnhinweise und Anweisungen für die Pflege, die Wartung und die Nutzung dieses Trampolins, um die sichere und vergnügliche Verwendung dieses Geräts zu fördern.
- Unter dem BERG-Trampolin dürfen sich keine Gegenstände befinden oder Personen aufhalten.
- In einem Umkreis von 2 Metern rund um das BERG-Trampolin dürfen keine Düngemittel (Kunstdünger, Düngepellets usw.) verwendet werden. Eine Verwendung derartiger Produkte kann die Widerstandsfestigkeit des BERG-Trampolins beeinträchtigen.

2.4 Gebrauchshinweise

Bei der Nutzung des BERG-Trampolins ist eine gute Körperhaltung für richtige Bewegungen erforderlich. Die richtige Körperhaltung und Balance werden durch das Anspannen der Muskeln erreicht. Eine gute Körperhaltung ermöglicht eine sichere Nutzung des Trampolins. Beim Springen wird der Körper Stößen ausgesetzt, die richtig abgefedert werden müssen. Durch eine Anspannung Ihrer Muskeln erlangen Sie eine bessere Kontrolle über Ihr Gleichgewicht und die Sprung- und Rückfederstärke des Körpers erhöht sich. Eine entspanntere Körperhaltung führt zu einem Verlust von Energie und die Sprung- und Rückfederstärke verringert sich. Beginnen Sie mit den elementaren Sprüngen und Sprungpositionen und probieren Sie weiter gehende Techniken nicht aus, bevor Sie diese beherrschen. Das Springen beenden Sie, indem Sie die Knie beugen, sobald Ihre Füße die Matte berühren.

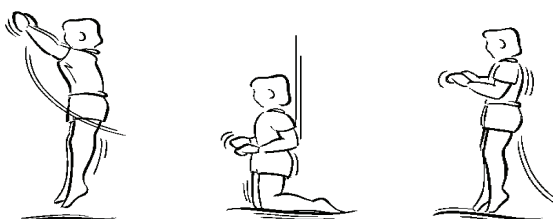
Basissprung

- Stehen Sie aufrecht und halten Sie den Kopf gerade.
- Halten Sie die Augen auf das Springtuch gerichtet.
- Schwingen Sie die Arme in einer Kreisbewegung nach vorne und oben.
- Halten Sie die Füße beieinander und richten Sie die Zehenspitzen während des Springens nach unten.
- Halten Sie die Füße bei der Landung ungefähr vierzig Zentimeter weit auseinander.



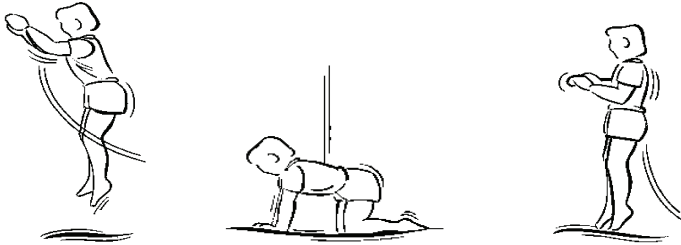
Kniesprung

- Beginnen Sie mit dem Basissprung.
- Richten Sie Ihren Blick auf das Springtuch.
- Landen Sie auf den Knien.
- Halten Sie Ihren Rücken gerade.
- Richten Sie sich in aufrechter Haltung wieder auf.



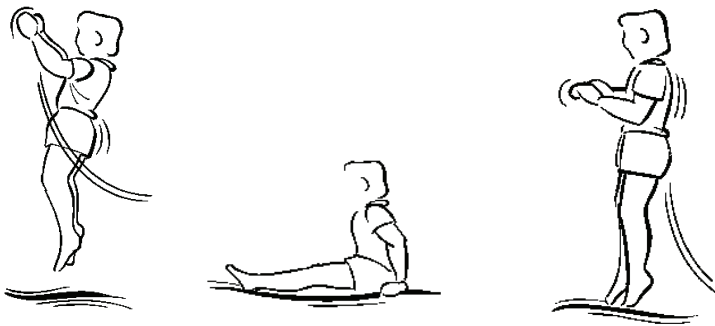
Hand- und Kniesprung

- Beginnen Sie mit dem Basissprung.
- Richten Sie Ihren Blick auf das Sprungtuch.
- Schwingen Sie die Arme in einer Kreisbewegung nach vorne und oben.
- Landen Sie auf Händen und Knien.
- Stoß Sie sich mit den Händen ab und richten Sie sich in aufrechter Haltung wieder auf.



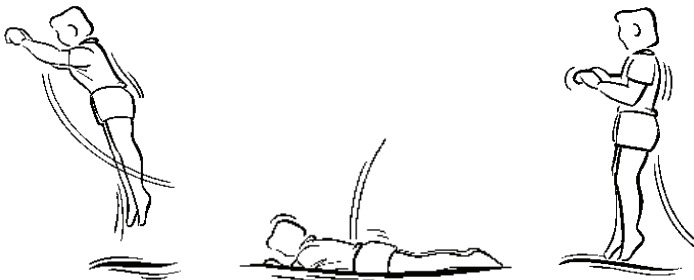
Sitzsprung

- Beginnen Sie mit dem Basissprung.
- Richten Sie Ihren Blick auf das Sprungtuch.
- Landen Sie sitzend.
- Setzen Sie die Hände neben Ihre Hüften auf das Sprungtuch.
- Stoßen Sie sich mit den Händen ab und richten Sie sich in aufrechter Haltung wieder auf.



Bauchsprung

- Beginnen Sie mit dem Basissprung und landen Sie auf dem Bauch.
- Halten Sie den Kopf gerade.
- Halten Sie die Arme vor den Kopf auf dem Sprungtuch.
- Stoßen Sie sich mit dem Händen ab, um sich in aufrechter Haltung wieder aufzurichten.



Rückensprung

- Beginnen Sie mit dem Basissprung und landen Sie auf dem Rücken.
- Halen Sie während der Landung die Knie gegen die Brust angezogen.
- Schwingen Sie die Beine vorwärts und hoch, wenn Sie sich in aufrechter Haltung wieder aufrichten.



3. Pflege und Wartung

Das BERG-Trampolin wird aus hochwertigen Materialien hergestellt und soll viele Jahre Freude bereiten. Eine ordnungsgemäße Wartung und gute Pflege garantieren eine lange Lebensdauer und helfen, Verletzungen zu vermeiden.

Die nachfolgenden Richtlinien sind zu beachten.

Kontrollieren Sie das BERG-Trampolin vor jedem Gebrauch anhand des Montagehandbuchs und ersetzen Sie defekte oder fehlende Teile. Wenn eine regelmäßige Wartung unterlassen wird, kann dies zu einem Risiko für die Benutzer führen.

Achten Sie auf:

- den Zustand der Verbindungen von Rahmenkomponenten (defekte Schweißnähte oder verbogener Rahmen).
- den Zustand der Federn (defekte oder überdehnte Federn).
- den Zustand der Sprungmatte (Beschädigung, falsche Spannung oder durchhängende Matte).
- einen fehlenden, falsch angeordneten oder unsicher befestigten Schutzrand.
- Löcher, ausgefranste oder verschlissene Stellen oder Risse in der Matte oder im Schutzrand.
- eine etwaige Verschlechterung in den Nähten oder im Gewebe der Matte oder im Schutzrand.
- hervorstehende Teile am Rahmen.

Wenn das Trampolin längere Zeit nicht im Gebrauch ist (z. B. im Winter), wird eine Lagerung des BERG-Trampolins im Innenbereich dringend empfohlen.

Sie können die Sprungmatte und den Schutzrand mit einem Lappen und kaltem Wasser reinigen. Verwenden Sie KEINESFALLS Lösemittel, Spülmittel, Reiniger oder heißes Wasser. Wir empfehlen, Ihr BERG-Trampolin mit einer Abdeckplane von BERG zu schützen, um eine Verschmutzung zu vermeiden.

Setzen Sie sich mit unseren Händlern in Verbindung, um Originalteile für das BERG-Trampolin zu bestellen.

4. Garantie

4.1 Garantiezeit

BERG-Trampoline sind hochwertige Geräte. BERG Toys bietet Ihnen zwei Arten von Garantien für jahrelangen sorglosen Spaß:

1) Function guarantee

Eine Funktionsgarantie ist eine Garantie auf die funktionale Nutzung des Trampolins. Bitte entnehmen Sie der nachfolgenden Tabelle die Laufzeit dieser Garantie.

Rahmen	Schutzrand	Sprungtuch	Federn
10yrs	2yrs	2yrs	5yrs

Für das Sicherheitsnetz und das Rahmennetz gilt eine Garantie von 2 Jahren. Demgegenüber gilt für das andere Zubehör eine Garantie von 1 Jahr. Teile, die verschleißen (wie z. B. Gummis) und Witterungseinflüssen ausgesetzt sind wie z. B. Rost und Verfärbung, sind von der Garantie ausgeschlossen.

2) Fünfjährige Servicegarantie

BERG Toys garantiert im Gegensatz zu vielen anderen Herstellern, dass Sie Teile bis zu fünf Jahre nach der Produktion bestellen können. Das ist die Gewähr für jahrelange Freude und ein einzigartiger Service im Trampolin-Segment.

4.2 Garantiebestimmungen

Der Eigentümer des Produkts kann eine Garantie nur durch Vorlage der Originalrechnung über den Kauf bei BERG Toys oder dem Händler, bei dem das Produkt gekauft wurde, geltend machen. Die Garantie gilt ausschließlich für Material- und Konstruktionsfehler bei diesem Produkt oder Teilen hiervon. Die Garantie erlischt, wenn:

- das Produkt falsch, nachlässig oder unsachgemäß verwendet wurde.
- das Produkt nicht in Übereinstimmung mit der Anleitung montiert und gewartet wird.
- technische Reparaturen an dem Produkt nicht fachgerecht ausgeführt werden.
- nachträglich montierte Teile nicht den technischen Spezifikationen des betreffenden Produkts entsprechen oder deren Montage nicht ordnungsgemäß erfolgte.
- wenn Schäden durch Witterungseinflüsse wie Rost, UV-Strahlen oder normaler Verschleiß auftreten.
- Trampoline von BERG Toys unsachgemäß abgesehen werden.
- das Produkt zu Vermietungszwecken verwendet oder auf irgendeine andere Weise mehreren nicht näher bezeichneten Personen zur Verfügung gestellt wird.

Während der Garantiezeit werden sämtliche von BERG Toys anerkannten Material- und Konstruktionsfehler nach dem Ermessen von BERG Toys im Anschluss an eine Prüfung der Sachverhalte durch BERG Toys repariert oder ersetzt. Eine kostenfreie Reparatur erfolgt unter der Voraussetzung, dass die in Ziffer 4.1 genannte Garantiezeit noch läuft.

Die Garantie kann der Eigentümer des BERG-Trampolins nur dann geltend machen, wenn das Produkt von einem BERG Toys-Händler geprüft wird.

Der Eigentümer dieses Produkts kann Ansprüche im Rahmen dieser Garantie nur dann geltend machen, wenn er das Produkt einem BERG Toys-Händler zur Prüfung zur Verfügung stellt. Gleichzeitig muss dem Händler die Originalkaufrechnung ausgehändigt werden. Wenn der Eigentümer umgezogen oder der Händler nicht mehr verfügbar ist, teilt BERG Toys dem Eigentümer auf Anfrage den nächst gelegenen BERG Toys-Händler mit.

Wenn ein Garantieanspruch abgelehnt wird, müssen alle angefallenen Kosten vom Eigentümer bezahlt



werden.

Diese Garantie ist nicht auf Dritte übertragbar.

Tables des matières

1. Introduction
2. Instructions pour une utilisation en toute sécurité
 - 2.1 Utilisation prévue
 - 2.1.1 Avant l'utilisation
 - 2.1.2 Pendant l'utilisation
 - 2.2 Restrictions d'utilisation
 - 2.3 Mises en garde
 - 2.4 Instructions d'utilisation
3. Entretien et maintenance
4. Garantie
 - 4.1 Période de garantie
 - 4.2 Conditions de garantie

Introduction

La pratique du trampoline est une source de plaisir et une activité saine. En plus d'être une occupation agréable, le trampoline contribue également à réduire le stress, à améliorer la condition physique et la circulation sanguine. Le trampoline est pour tous les âges.

Nous espérons que vous tirerez beaucoup de plaisir de votre trampoline et vous remercions chaleureusement pour l'achat de trampoline BERG.

Pour des années d'utilisation sans souci, vous trouverez dans ce manuel des astuces pour le montage, une utilisation en toute sécurité ainsi que des instructions de saut. Le saut en trampoline n'est pas une activité dangereuse, à condition de respecter les instructions de sécurité.

Le châssis de ce trampoline BERG a été galvanisé pour le protéger de la corrosion. De plus, si vous observez les conseils sur l'entretien et les soins à apporter à votre trampoline, celui-ci vous assurera de longues années de plaisir.

Nous vous conseillons d'étudier consciencieusement ce manuel avant utilisation du trampoline BERG et de le conserver.

BERG Toys espère que vous sauterez de plaisir!

2. Instructions pour une utilisation en toute sécurité

BERG Toys ou le revendeur ne peuvent être tenus responsables d'une utilisation inappropriée du produit. Veuillez lire attentivement les présentes instructions et informer l'utilisateur sur la manière d'utiliser ce produit correctement et en toute sécurité. Vous pouvez contacter votre revendeur si vous désirez des informations complémentaires sur le trampoline.

2.1 Utilisation prévue

Utilisez uniquement votre produit BERG Toys comme indiqué ci-dessous. Les utilisations non autorisées peuvent provoquer de graves blessures de l'utilisateur et/ou endommager le produit. Lisez toutes les instructions avant d'utiliser le trampoline. Les mises en garde et les instructions relatives à l'entretien, à la maintenance et à l'utilisation du trampoline visent une utilisation en toute sécurité et agréable de cet équipement.

2.1.1 Avant l'utilisation

- Afin d'éviter toute blessure, inspectez le trampoline BERG avant chaque utilisation, en vous référant aux instructions d'assemblage. Remplacez tout composant usé, défectueux ou manquant. Assurez-vous également que la bordure de protection soit mise en place correctement.
- Veillez à ce qu'aucune personne ou aucun objet ne se trouve sous le trampoline BERG.
- Contrôlez que le trampoline BERG soit de niveau. À cet effet, vous pouvez recourir à un niveau à bulle ou mettre un ballon au milieu de la toile puis ajuster la hauteur des pieds concernés jusqu'à ce que le ballon reste bien au milieu.
- N'utilisez le trampoline BERG que lorsqu'il est propre et sec.
- Pour toute information relative aux entraînements et sauts, consultez un instructeur agréé.
- Avant de commencer à sauter, enlevez vos chaussures, lunettes, chaînettes, ornements, boucles d'oreilles et autres objets acérés et videz également vos poches.
- Tout autour du trampoline, prévoyez un espace libre de 2 mètres minimum, sans arbres, clôtures ni autres obstacles.
- Au-dessus du trampoline, l'espace libre doit être de 7 mètres minimum, comptés à partir du sol.

2.1.2 Pendant l'utilisation

- Seule une personne à la fois doit utiliser le trampoline BERG.
- Les enfants et les débutants doivent toujours sauter sous la supervision d'un adulte expérimenté.
- Ne sautez sur le trampoline BERG qu'à pieds nus ou en chaussettes.
- Montez ou descendez du trampoline BERG avec précaution. Il est dangereux de sauter sur le trampoline pour y monter ou de sauter sur le sol pour en descendre.
- Apprenez bien les sauts et positions de base avant d'essayer des mouvements plus difficiles. Pour s'exercer, il est possible de réaliser différentes séries et combinaisons de mouvements de base, avec ou sans sauts.
- Évitez de sauter trop haut. Faites de petits sauts jusqu'à ce que vous ayez une bonne maîtrise et que vous atterissiez au centre du trampoline. La maîtrise est plus importante que la hauteur.

2.2 Restrictions d'utilisation

- Une seule personne à la fois doit sauter sur le trampoline. Il y a risque de graves blessures si plusieurs personnes sautent en même temps.
- Le trampoline BERG ne devrait pas être utilisé par les enfants âgés de moins de 6 ans.
- Évitez de sauter lorsque vous êtes fatigué. Ne sautez pas trop longtemps.
- Évitez de sauter sur le bord de la toile de saut et sur la bordure de protection. Sautez toujours au centre du trampoline.
- Ne vous asseyez pas ou ne restez pas debout sur les ressorts. Ne sautez jamais sur les ressorts.
- N'utilisez pas le trampoline BERG si vous avez consommé de l'alcool ou des drogues.
- Ne sautez que lorsque la toile de saut est sèche. Il ne doit pas y avoir trop de vent. Il ne faut pas utiliser le trampoline BERG en cas de rafales ou de bourrasques de vent.
- N'utilisez pas le trampoline BERG comme tremplin pour accéder à un autre objet ou sauter sur le sol

ou vice versa. Ne l'utilisez que pour sauter verticalement.

- N'autorisez pas les animaux domestiques à monter sur le trampoline BERG, afin d'éviter des endommagement de la bordure de protection ou de la toile.
- Il n'est pas autorisé d'apporter des modifications au trampoline BERG ou de le réparer soi-même. Toutes les réparations doivent être réalisées de manière professionnelle. Veuillez consulter votre revendeur BERG Toys à ce sujet.



2.3 Mises en garde

- N'essayez pas de faire des sauts périlleux. Si vous retombez sur la tête ou la nuque, il y a risque de graves blessures, de paralysie voire de mort, même si vous atterrissez au centre de la toile.
- Seule une personne à la fois doit utiliser le trampoline. L'utilisation du trampoline par plusieurs personnes à la fois peut entraîner de graves blessures.
- Le trampoline BERG a été conçu pour être utilisé par une seule personne à la fois. Le poids de l'utilisateur ne doit pas dépasser:

9ft	11ft	12,5ft	14ft
70kg	100kg	110kg	120kg

- Le trampoline ne doit être utilisé que sous la supervision d'un adulte bien informé.
- Les enfants âgés de moins de 6 ans ne devraient pas utiliser le trampoline BERG.
- Contrôlez le trampoline BERG avant chaque utilisation. Vérifiez que la bordure de protection soit mise en place correctement. Remplacez tout composant usé, défectueux ou manquant.
- Montez ou descendez du trampoline BERG avec précaution. Il est dangereux de sauter sur le trampoline pour y monter ou de sauter sur le sol pour en descendre. N'utilisez pas le trampoline comme tremplin pour accéder à d'autres objets.
- Sautez toujours au centre de la toile de saut. Évitez de sauter sur le bord de la toile et la bordure de protection.
- Interrompez le saut en pliant les genoux dès que vos pieds touchent la toile de saut. Apprenez cette technique de base avant de vous perfectionner.
- Apprenez bien les sauts et positions de base avant d'essayer des mouvements plus difficiles. Pour s'exercer, il est possible de réaliser différentes séries et combinaisons de mouvements de base, avec ou sans sauts.
- Évitez de sauter trop haut. Faites de petits sauts jusqu'à ce que vous ayez une bonne maîtrise et que vous atterrissez au centre du trampoline. La maîtrise est plus importante que la hauteur.
- Tenez la tête bien droite et dirigez les yeux vers le périmètre du trampoline. Vous apprendrez ainsi à maîtriser les sauts.
- Évitez de sauter lorsque vous êtes fatigué. Ne sautez pas trop longtemps.
- Rangez bien le trampoline quand vous ne l'utilisez pas. Protégez-le contre toute utilisation non autorisée. Si présente, enlevez l'échelle quand le trampoline n'est pas utilisé afin d'éviter que des enfants âgés de moins de 6 ans ne montent dessus.
- Maintenez éloignés les objets qui pourraient gêner l'utilisateur. Faites en sorte que l'espace situé autour du trampoline soit vide.
- Avant de commencer à sauter, enlevez vos lunettes, chaînettes, ornements, boucles d'oreilles et autres objets acérés et videz vos poches pour éviter de vous blesser et d'endommager le trampoline.
- N'utilisez pas le trampoline si vous avez consommé de l'alcool ou des drogues.
- Contactez le fabricant si vous désirez d'autres informations sur le trampoline.
- Ne sautez sur le trampoline que si la toile de saut est sèche. Il ne doit pas y avoir trop de vent. Il ne faut pas utiliser le trampoline en cas de rafales ou de bourrasques de vent.
- Lisez toutes les instructions avant d'utiliser le trampoline. Les mises en garde et les instructions relatives à l'entretien, à la maintenance et à l'utilisation du trampoline visent une utilisation en toute sécurité et agréable.
- Aucune personne ou aucun objet ne doit être présent sous le trampoline quand quelqu'un l'utilise.
- L'utilisation de fertilisants (engrais artificiels, granulés, etc.) est interdite dans un rayon de 2 mètres

autour du trampoline BERG. En effet, l'utilisation de tels produits peut réduire la résistance du trampoline BERG.

2.4 Instructions d'utilisation

Pour faire des mouvements adéquats, il faut adopter la bonne position. C'est en tendant les muscles que l'on obtient la bonne position et l'équilibre nécessaire.

Une bonne position permet une utilisation sûre du trampoline. Pendant les sauts, le corps est exposé à des chocs qui doivent être amortis correctement. En tendant vos muscles, vous parvenez à un meilleur équilibre et vous augmentez la force de saut et de rebond de votre corps. Si la position est plus relâchée, il y aura une perte d'énergie et la force de saut et de rebond diminuera. Commencez par des sauts et des positions de base et ne faites pas de mouvements plus difficiles avant de bien maîtriser les fondements. Interrompez le saut en pliant les genoux dès que vos pieds touchent la toile de saut.

Saut de base

- Tenez-vous debout et gardez la tête droite.
- Gardez les yeux orientés sur le tapis de saut.
- Balancez les bras en avant et en haut dans un mouvement circulaire.
- Gardez les pieds côte à côte et orientez les orteils vers le bas au cours du saut.
- Gardez les pieds lors de l'atterrissage à environ quarante centimètres l'un de l'autre.



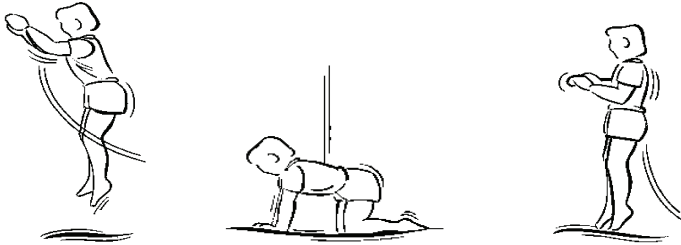
Saut sur genoux

- Démarrez par le saut de base.
- Gardez les yeux orientés sur le tapis de saut.
- Retombez sur les genoux.
- Gardez entre-temps votre dos droit.
- Retombez debout en posture droite.



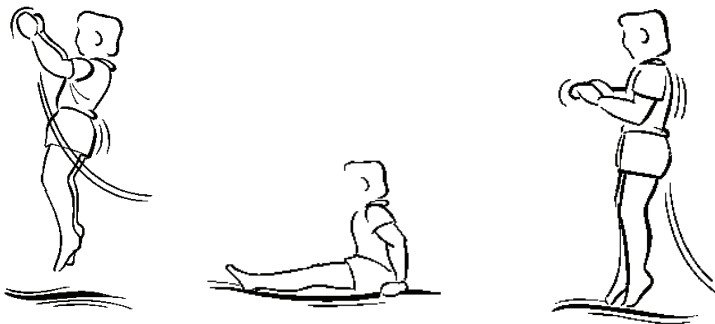
Saut sur mains et genoux

- Démarrez par le saut de base
- Gardez les yeux orientés sur le tapis de saut.
- Balancez les bras en avant et en haut dans un mouvement circulaire.
- Retombez sur les mains et les genoux.
- Repoussez avec les mains et retombez debout en posture droite.



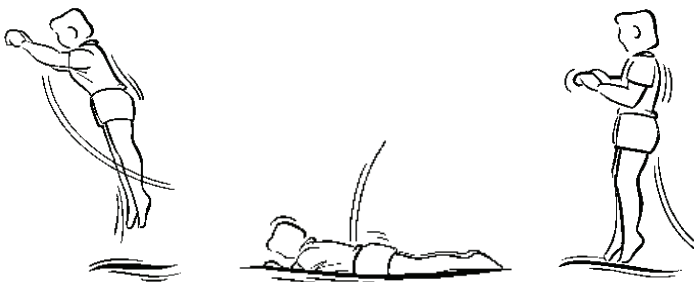
Saut sur siège

- Démarrez par le saut de base.
- Gardez les yeux orientés sur le tapis de saut.
- Retombez en position assise.
- Placez les mains à côté des hanches sur le tapis de saut.
- Repoussez avec les mains et retombez debout en posture droite.



Saut ventral

- Démarrez par le saut de base et retombez sur le ventre.
- Gardez la tête droite.
- Gardez les bras devant la tête sur le tapis de saut.
- Repoussez avec les bras pour revenir droit.



Saut dorsal

- Démarrez par le saut de base et retombez sur le dos.
- Gardez le menton serré contre la poitrine lors du retou.
- Lancez les jambes en avant et en haut lorsque vous revenez debout.



3. Entretien et maintenance

Les trampolines BERG sont fabriqués avec des matériaux de qualité supérieure. Le fabricant vise une utilisation agréable pendant plusieurs années. De bons soins et une maintenance correcte assurent une longue durée de vie et permettent d'éviter les blessures.

Respectez les instructions suivantes.

Contrôlez le trampoline BERG avant chaque utilisation, conformément au manuel d'assemblage. Remplacez les composants défectueux ou manquants. L'absence de maintenance régulière peut entraîner des risques pour les utilisateurs.

Faites attention aux points suivants :

- État des articulations des composants du cadre (soudures cassées ou cadre plié).
- État des ressorts (ressorts cassés ou fortement étirés).
- État de la toile de saut (endommagements, tension incorrecte ou affaissement).
- Bordure de protection manquante, placée de manière incorrecte ou fixée de manière dangereuse.
- Endommagements, effilochements, déchirures ou trous dans la toile de saut ou la bordure de protection.
- Détérioration des coutures ou de la structure de la toile de saut ou de la bordure de protection.
- Saillies acérées sur le cadre.

Si vous n'utilisez pas le trampoline pendant une période prolongée (l'hiver par exemple), il est fortement recommandé de l'entreposer à l'intérieur.

Vous pouvez nettoyer la toile de saut et la bordure de protection avec un chiffon et de l'eau froide. N'utilisez JAMAIS de solvants, de produit lave-vaisselle, de détergents ou d'eau chaude. Nous vous recommandons de couvrir le trampoline d'une toile de protection afin d'éviter qu'il ne se salisse.

Contactez nos revendeurs pour commander des pièces d'origine.

4. Garantie

4.1 Période de garantie

Les trampolines BERG sont des équipements de qualité supérieure. BERG Toys vous offre deux types de garantie pour vous assurer une utilisation agréable et sans problèmes pendant de longues années:

1) Garantie fonctionnelle

Une garantie fonctionnelle est une garantie portant sur l'utilisation fonctionnelle du trampoline. Veuillez consulter le tableau ci-dessous pour prendre connaissance des conditions.

Châssis	Coussin de protection	Tapis de saut	Ressorts
10yrs	2yrs	2yrs	5yrs

Le filet de sécurité et le filet du cadre présentent une garantie de 2 ans. Les autres accessoires ont une garantie d'un an. Les pièces d'usure et les composants pouvant se déchirer (tels que les élastiques) ainsi que les effets climatologiques (rouille et décoloration par exemple) sont exclus de la garantie.

2) Garantie de cinq ans pour le service après-vente

Contrairement à beaucoup d'autres fabricants, BERG Toys vous garantit une commande de pièces détachées jusqu'à cinq ans après la production. Vous avez ainsi l'assurance de nombreuses années d'utilisation agréable : un service unique dans la branche des trampolines.

4.2 Conditions de garantie

Le propriétaire du produit ne peut faire valoir son droit à la garantie que sur présentation du ticket de caisse original de BERG Toys ou du revendeur chez lequel il a acheté le produit. La garantie s'applique exclusivement aux défauts de matériel et de construction, pour le produit ou ses composants. La garantie échoit dans les cas suivants :

- le produit est utilisé de manière erronée, négligente ou inappropriée.
- Le produit n'a pas été assemblé et n'est pas entretenu conformément aux instructions.
- Les réparations techniques n'ont pas été réalisées de manière professionnelle.
- Les composants mis en place ne correspondent pas aux spécifications techniques du produit ou l'installation n'a pas été réalisée correctement.
- Les dommages provoqués par les effets climatologiques (rouille, rayons ultraviolets) ou une usure ou détérioration normale.
- Abaissement incorrect des trampolines BERG Toys.
- Le produit est loué ou mis à disposition, d'une autre manière, de personnes non spécifiées.

Pendant la période de garantie, tous les défauts de matériaux et de construction établis par BERG Toys seront réparés ou remplacés, au choix de BERG Toys. Les réparations seront effectuées gratuitement si la période de garantie mentionnée au point 4.1 est encore valable.

Le propriétaire du trampoline BERG ne peut faire appel à la garantie que si le produit a été inspecté par un revendeur BERG Toys.

Le propriétaire du produit ne peut faire de revendications liées à la garantie que s'il fournit le produit au revendeur BERG Toys pour inspection. La facture d'achat originale doit également être remise au revendeur. Si le propriétaire a déménagé ou que le revendeur a cessé ses activités, BERG Toys communiquera au propriétaire, à sa demande, l'emplacement du revendeur BERG Toys le plus proche.

Si la revendication liée à la garantie est refusée, tous les frais engagés seront à la charge du propriétaire. La présente garantie ne peut pas être transférée à des tiers.



BERG InGround Champion



www.bergtoys.com