



# BERG SKELTERS

BFR Frame



BERG BFR Frame + all related themes

The *ultimate*  
quality go-kart!

years

5+

125 to 190 cm

[BERGTOYS.COM](http://BERGTOYS.COM)



## WHY A BERG GO-KART?

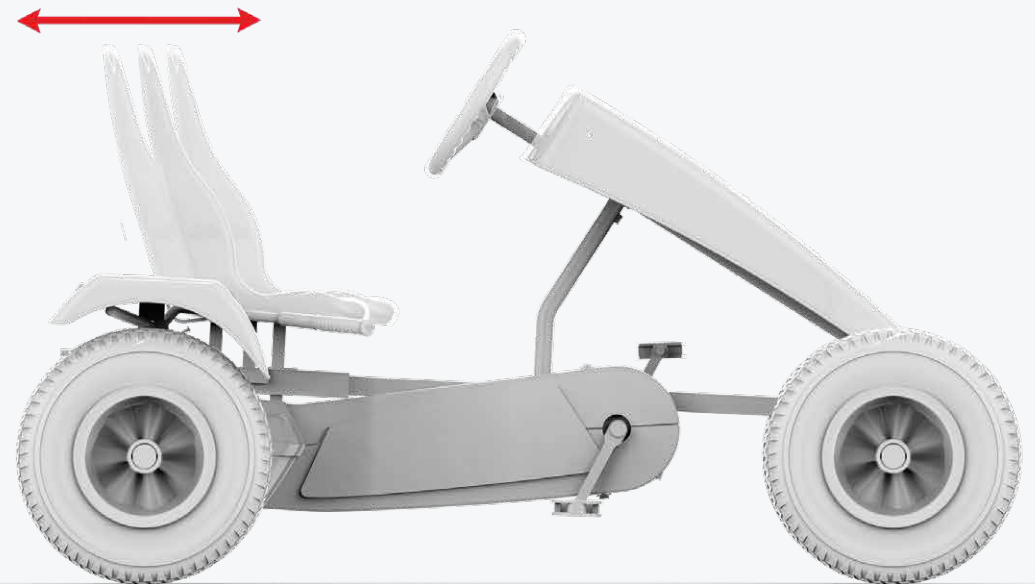
*Inspiring Active Play*

Enjoy your ride! The classic go-kart is based on more than 30 years of manufacturing experience. You will feel, hear and see the benefits of that experience while driving this kart.

The BERG Go-kart is definitely the safest choice for children from 5 years and older (the E-BFR go-kart is for children from 6 years and older).

### 1. ADJUSTABLE SEAT

Every BERG Frame has an adjustable seat. The seat can be set in 6 different positions resulting in many years of driving pleasure!



The *ultimate*  
quality go-kart!



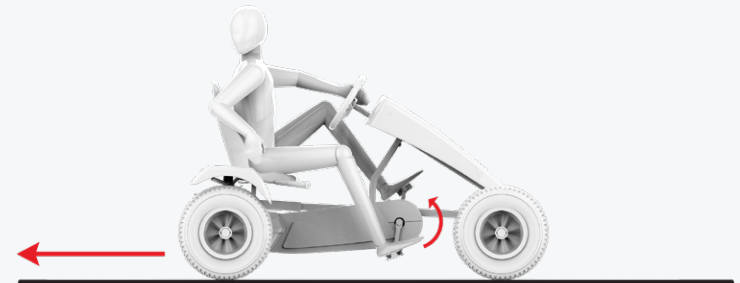
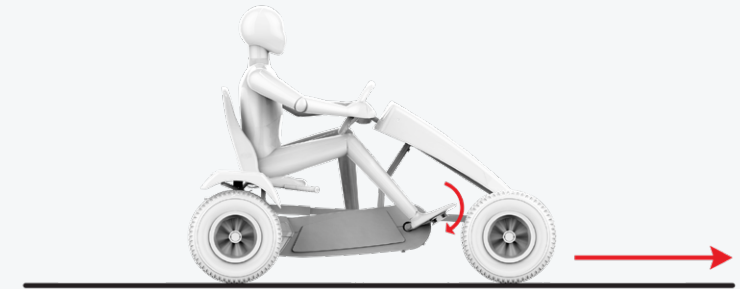
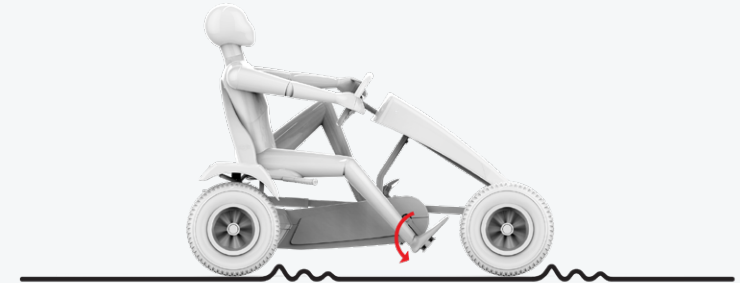


## 2. BFR SYSTEM

BFR stands for: Brake, Freewheel and Reverse. The BFR system allows you to brake using the pedals, but also reverse immediately after coming to a standstill. In addition, the freewheel ensures that the pedals remain stationary while the wheels are turning.

This happens completely automatically, without having to shift gears. The back-pedal brakes allow you to brake hard and fast.

It can be hard for children to keep their feet on the pedals in a controlled way at high speeds or when unexpected things happen. Due to the freewheel, the pedals stop turning as soon as the driver of the pedal go-kart stops pedaling. All this ensures a safe pedal go-kart that children and older people can have a lot of fun with.





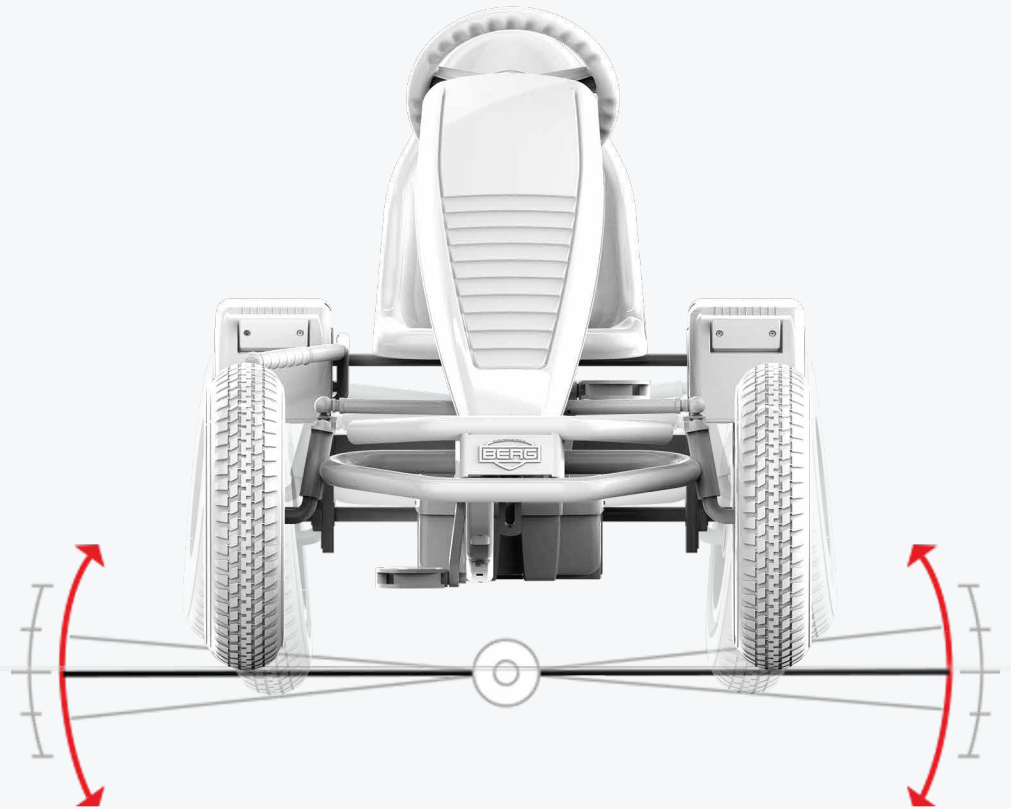


### 3. COMFORTABLE DRIVING

BERG Pedal go-karts have several features that enable you to ride around very comfortably. To start with, the pedal carts have four pneumatic tires. Pneumatic tires ensure more grip on the road and make your ride more comfortable. Pneumatic tires also have less rolling resistance than solid tires, which allows you to drive faster.

The swing axles of the pedal cart ensures that all four of the wheels are always touching the ground, even on uneven terrains.

Due to the double ball bearings of the steering mechanism, steering is light and supple and you are very agile. The roller bearing in the wheels ensure that you can play for a long time without getting tired.



The *ultimate*  
quality go-kart!





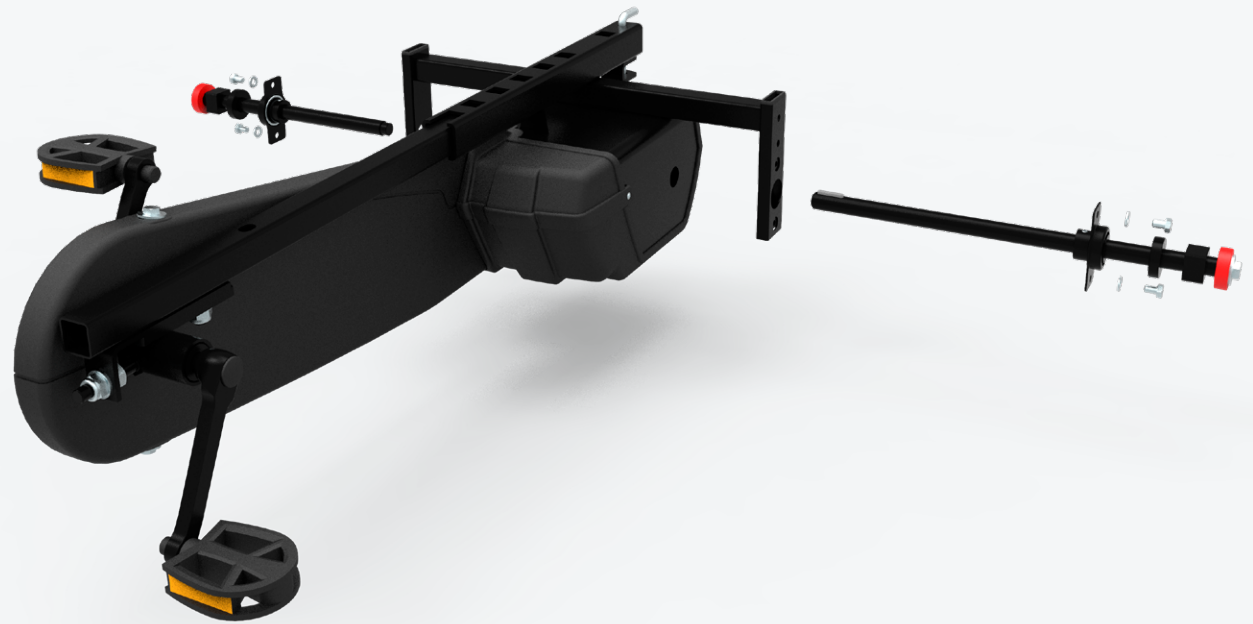


## 4. EASY ASSEMBLING

The BERG Pedal go-karts are easy to assemble. The rear axles must be placed on the left and right inside the casing of the chain cover. This can be done without opening the chain cover. The two bolts on both sides must then be tightened.

Now attach a few more components, such as the seat, the wheels and the steering wheel, and you're all done!

The frame has been designed in such a way that maintenance work can be done easily later on. The chain cover is easy to open, and the chain tensioner is accessible.

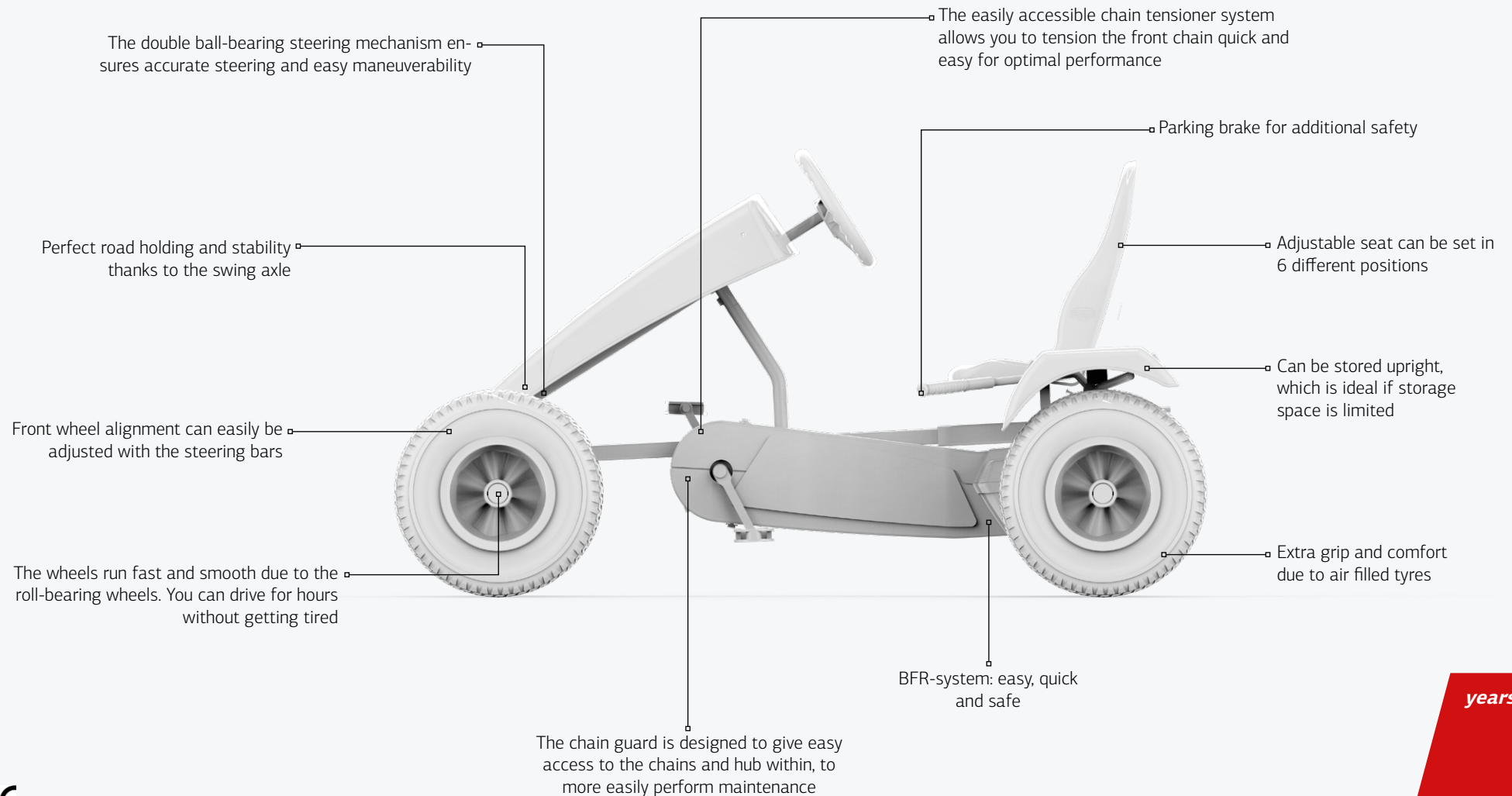


The *ultimate*  
quality go-kart!





## 5. CHARACTERISTICS





07.10.06.00

## BERG BASIC BLUE

*Inspiring Active Play*

This classic go-kart is based on more than 30 year of manufacturing experience.

Are you looking for a solidly built go-kart but without all the trimmings?  
Then the BERG Basic is definitely for you!



Weight product: 39 kg  
Packaging dimensions Weight+box  
Frame: 100x40x58.5 31.5 kg  
Theme: 41x50x58 15.2 kg

years

5+

125 to 190 cm

**BERGTOYS.COM**

EAN-CODE: **8715839050998**





07.10.00.00

# BERG EXTRA BLUE

*Inspiring Active Play*

The solid and durable frame guarantees many years of fun during summer, and all other seasons. There are many accessories available like passenger seats, trailers, flashlights and others.

Let's play outside together with your friends and explore the world!



Weight product: 40.5 kg  
 Packaging dimensions Weight+box  
 Frame: 100x40x58.5 31.5 kg  
 Theme: 41x50x58 16.9 kg

years **5+**  
 125 to 190 cm





07.10.00.00

## BERG EXTRA SPORT BLUE

*Inspiring Active Play*

The solid and durable frame guarantees many years of fun during summer, and all other seasons. There are many accessories available like passenger seats, trailers, flashlights and others.

Let's play outside together with your friends and explore the world!



Weight product: 40.5 kg

Packaging dimensions Weight+box

Frame: 100x40x58.5 31.5 kg

Theme: 41x50x58 16.9 kg

years

5+

125 to 190 cm

**BERGTOYS.COM**

EAN-CODE: **8715839050936**



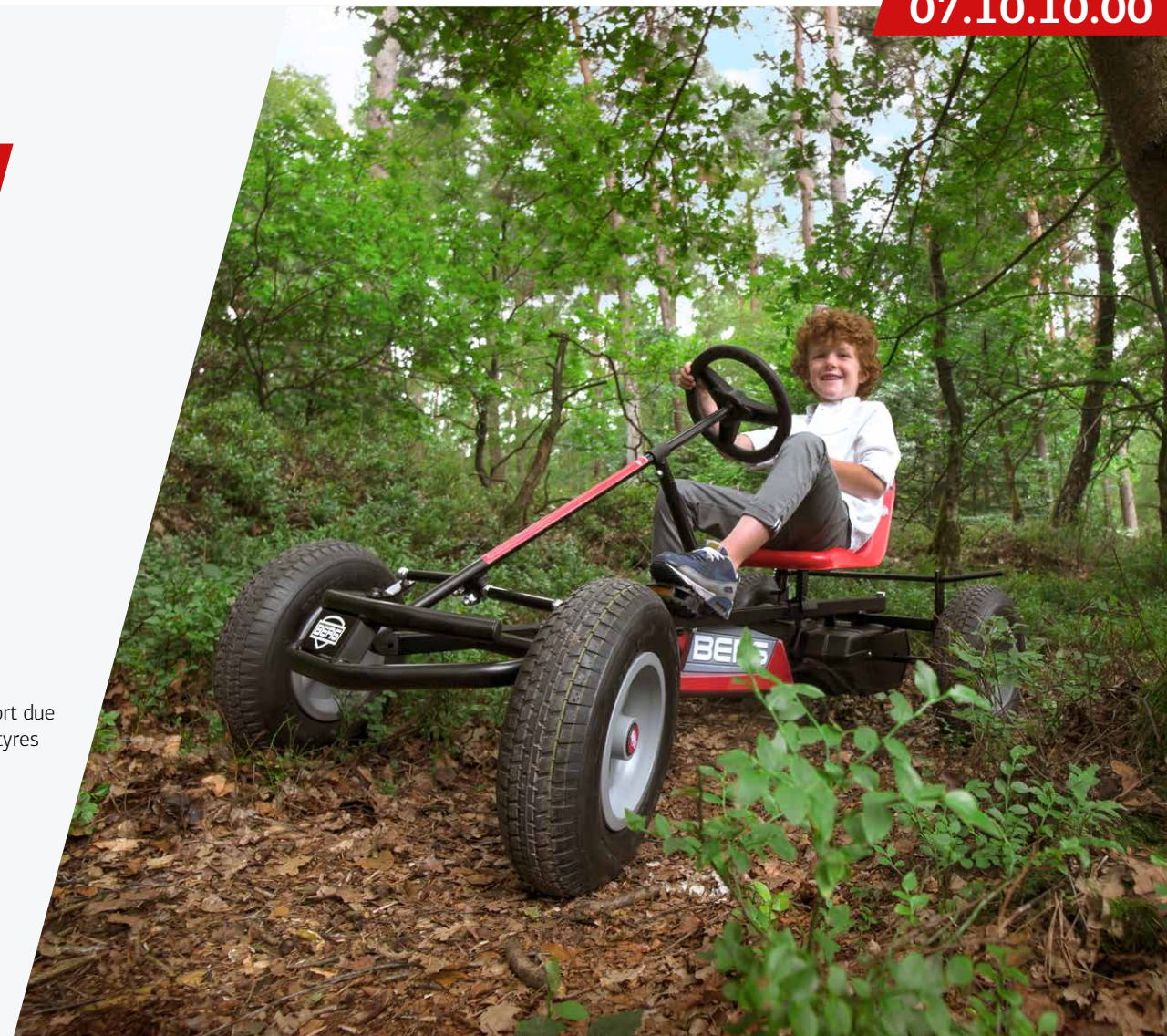


07.10.10.00

# BERG BASIC RED

*Inspiring Active Play*

This cool BERG Basic Red has a sturdy frame and is thus even suitable for professional use. Each go-kart is fitted with a coaster brake, handbrake and parking brake. Not only is this go-kart safe, but thanks to its pneumatic tyres the BERG Basic Red is also comfortable. This go-kart will last for many years due to the adjustable seat. The Basic is therefore suitable for children from the age of 5 and also for adults. In addition, the 4 wheels and swing axle keep this go-kart firmly and safely grounded.



Extra comfort due to air filled tyres

Very robust frame making it even suitable for professional use

The four wheels and swing axle keep you grounded firmly and safely



|                      |            |
|----------------------|------------|
| Weight product:      | 39 kg      |
| Packaging dimensions | Weight+box |
| Frame: 100x40x58.5   | 31.5 kg    |
| Theme: 41x50x58      | 15.2 kg    |

years

# 5+

125 to 190 cm





07.10.11.00

## BERG EXTRA RED

*Inspiring Active Play*

This cool BERG Extra Red has a sturdy frame and is fitted with a coaster brake, handbrake and parking brake. Not only is this go-kart safe, but thanks to its pneumatic tyres the BERG Basic Red is also comfortable. This go-kart will last for many years due to the adjustable seat. The 4 wheels and swing axle keep the go-kart firmly and safely grounded.

The four wheels and swing axle keep you grounded firmly and safely

Extra comfort due to air filled tyres

Equipped with coaster brake, hand brake and parking brake



Weight product: 40.5 kg

Packaging dimensions Weight+box

Frame: 100x40x58.5 31.5 kg

Theme: 41x50x58 16.9 kg

years

5+

125 to 190 cm

**BERGTOYS.COM**

EAN-CODE: **8715839063479**



07.10.12.00

## BERG EXTRA SPORT RED

*Inspiring Active Play*

The BERG Extra Sport Red is the most elaborate classic by BERG, in the striking colour red. This cool go-kart has mudguards with reflectors, but also a great front spoiler. This eye-catcher also has the BFR-system so that you can reverse immediately after coming to a standstill. The swing axle ensures that you can ride safely, even on uneven surfaces. Are you going to explore the neighbourhood on this go-kart?



Weight product: 42.5 kg  
Packaging dimensions Weight+box  
Frame: 100x40x58.5 31.5 kg  
Theme: 58x31.5x100 20.6 kg

years

5+

125 to 190 cm

**BERGTOYS.COM**

EAN-CODE: **8715839063486**





07.10.08.01

## BERG X-CROSS

*Inspiring Active Play*

With its sturdy looks, this go-kart looks solid, and it sure is solid! This kart is designed for great outdoor adventures. With the five-spoke rim and air filled tyres you can easily drive through the mud. An extra spatter doesn't matter. The tyres spin smoothly thanks to the ball bearings. Therefore your kart drives light. That enables you to have long and serious adventures outside!



Weight product: 43.1 kg  
Packaging dimensions Weight+box  
Frame: 100x40x58.5 31.5 kg  
Theme: 58x31.5x100 22.4 kg

years

**5+**

125 to 190 cm

**BERGTOYS.COM**

EAN-CODE: **8715839070101**





07.10.03.00

## BERG X-PLORE

*Inspiring Active Play*

Asphalt and concrete is not what you want. You prefer off-road. Forest, fields, all rough and undiscovered terrains. That is possible with this kart! The special off-road tyres, combined with the swing axle give you an optimal grip on rough terrain.



Front fenders equipped as standard

Real off-road tyres for extra grip during your outdoor adventures



Weight product: 45 kg

Packaging dimensions Weight+box

Frame: 100x40x58.5 31.5 kg

Theme: 58x41.5x100 24.1 kg

years

5+

125 to 190 cm

**BERGTOYS.COM**

EAN-CODE: **8715839050967**



07.10.17.00

## BERG X-ITE

*Inspiring Active Play*

BERG has designed the BERG X-ite especially for lovers of cool go-karts. The graphics are inspired by off-road motorcycles and give the go-kart its cool appearance. Details, such as the extra cool sticker on the frame, make the go-kart complete.



The seat is easy to adjust so that everyone from the age of 5 can fit in the go-kart.

The BERG Xite has a swing axle so that the go-kart can easily drive over uneven ground

The pneumatic tyres make the Xite supple and light



Weight product: 43.6 kg  
Packaging dimensions Weight+box  
Frame: 100x40x58.5 31.5 kg  
Theme: 58x41.5x100 20.6 kg

years

**5+**

125 to 190 cm

**BERGTOYS.COM**

EAN-CODE: **8715839072761**





07.11.06.00

# JEEP® REVOLUTION PEDAL GO-KART

*Inspiring Active Play*

From now on you can tackle anything, because the Jeep Revolution pedal go-kart will never let you down! This tough go-kart has real off-road tyres. Combined with the swing axle, you are sure to have grip on every rough terrain. Because of the adjustable seat, even your parents will be able to enjoy riding (if you let them). With the adjustable steering bars you can align your wheels for a perfect alignment.

BERG also offers a spare wheel. If you use this one, you will never face any unpleasant surprises.



Official Jeep® licensed product

Comes with off-road tyres as standard for extra grip



Jeep, the Jeep grille and related logos, vehicle model names and trade dress are trademarks of FCA US LLC and used under license by BERG Toys. ©2020 FCA US LLC.



Weight product: 46.5 kg  
 Packaging dimensions Weight+box  
 Frame: 100x40x58.5 31.5 kg  
 Theme: 58x41.5x100 23.6 kg

years

5+

125 to 190 cm

**BERGTOYS.COM**

EAN-CODE: **8715839051087**





07.10.14.00

## BERG RACE GTS

*Inspiring Active Play*

How long have you been dreaming about a real racing car? Everyone will turn their heads to look at you in this cool BERG Race GTS; if they get the chance that is, because you will soon be tearing off again! Thanks to the pneumatic tyres and aerodynamic spoiler you are guaranteed high speeds. Make your go-kart look even better by adding various accessories.



The BERG Race GTS is designed for speed. The special racing tyres give you the ultimate racing sensation



Weight product: 47.5 kg  
Packaging dimensions Weight+box  
Frame: 100x40x58.5 31.5 kg  
Theme: 58x41.5x100 26.6 kg

years

5+

125 to 190 cm

**BERGTOYS.COM**

EAN-CODE: **8715839067651**



07.10.15.00

## BERG RACE GTS FULL SPEC

*Inspiring Active Play*

How long have you been dreaming about a real racing car? Everyone will turn their heads to look at you in this cool BERG Race GTS Full spec; if they get the chance that is, because you will soon be tearing off again! Thanks to the pneumatic tyres and aerodynamic spoiler you are guaranteed high speeds. The BERG Race GTS Full spec is fitted with cool side skirts and front mudguards as standard.

The BFR-system allows you to break with the pedals, but also drive backwards immediately after a standstill



Including cool side skirts



Weight product: 53.8 kg

Packaging dimensions Weight+box

Frame: 100x40x58.5 31.5 kg

Theme: 58x41.5x100 26.6 kg

years

5+

125 to 190 cm

**BERGTOYS.COM**

EAN-CODE: **8715839068801**





07.10.05.00

## BERG BLACK EDITION

*Inspiring Active Play*

With its outstanding design elements the Black Edition is a special car for unique children. The sturdy, large tyres can handle every surface. The dark color enables you to have undercover adventures. With the aerodynamic spoiler and air filled tyres, you are quicker than everyone else. So no one can catch you! Thanks to roll bearings and ball bearing steering mechanism, you make almost no noise. Nobody will hear you during your special missions.



▫ Aerodynamic spoiler and fenders

▫ Equipped with sturdy and nice looking tyres



Weight product: 43.6 kg

Packaging dimensions Weight+box

Frame: 100x40x58.5 31.5 kg

Theme: 58x31.5x100 22.5 kg

years

5+

125 to 190 cm

**BERGTOYS.COM**

EAN-CODE: **8715839050981**





07.11.01.00

# BERG CLAAS

*Inspiring Active Play*

Especially on the farm you can find the freedom and space to enjoy outdoor adventures. This BERG CLAAS pedal go kart will support you during these adventures. It is an officially licensed product and the design is based on real CLAAS tractors. It is equipped with impressive rugged tyres which have extreme grip on muddy surfaces. The coloring, decals and exhaust pipe make this kart a real CLAAS for the young farmer and CLAAS fan.



Special CLAAS design

Equipped with real tractor tyres

CLAAS

BERGTOYS.COM



Weight product: 51 kg  
 Packaging dimensions Weight+box  
 Frame: 100x40x58.5 31.5 kg  
 Theme: 58x41.5x100 30.6 kg

years **5+**  
 125 to 190 cm

EAN-CODE: 8715839051032





07.11.00.00

# BERG JOHN DEERE

*Inspiring Active Play*

Especially on the farm you can find the freedom and space to enjoy outdoor adventures. This BERG John Deere pedal go kart will support you during these adventures. It is an officially licensed product and the design is based on real John Deere tractors. It is equipped with impressive rugged tyres which have extreme grip on muddy surfaces. The coloring, decals and exhaust pipe make this kart a real John Deere for the young farmer and John Deere fan.

The exhaust pipe and real tractor tyres give your child the feeling of really being on a farm



The BFR-system allows you to break with the pedals, but also drive backwards immediately after a standstill



JOHN DEERE



|                      |                     |
|----------------------|---------------------|
| Weight product:      | 51 kg               |
| Packaging dimensions | Weight+box          |
| Frame:               | 100x40x58.5 31.5 kg |
| Theme:               | 58x41x100 30.6 kg   |

years

# 5+

125 to 190 cm

**BERGTOYS.COM**

EAN-CODE: **8715839051025**





07.11.02.00

# BERG CASE IH

*Inspiring Active Play*

Especially on the farm you can find the freedom and space to enjoy outdoor adventures. This BERG Case IH pedal go kart will support you during these adventures. It is an officially licensed product and the design is based on real Case IH tractors. It is equipped with impressive rugged tyres which have extreme grip on muddy surfaces. The coloring, decals and exhaust pipe make this kart a real Case IH for the young farmer and Case IH fan.



Special Case IH design

Comes with a cool registration plate



Weight product: 51 kg  
 Packaging dimensions Weight+box  
 Frame: 100x40x58.5 31.5 kg  
 Theme: 58x41.5x100 30.6 kg

years **5+**  
125 to 190 cm

**BERGTOYS.COM**

EAN-CODE: **8715839051049**





07.11.04.00

# BERG FENDT

*Inspiring Active Play*

Especially on the farm you can find the freedom and space to enjoy outdoor adventures. This BERG Fendt pedal go kart will support you during these adventures. It is an officially licensed product and the design is based on real Fendt tractors. It is equipped with impressive rugged tyres which have extreme grip on muddy surfaces. The coloring, decals and exhaust pipe make this kart a real Fendt for the young farmer and Fendt fan.



Comes with a cool registration plate



|                      |            |  |
|----------------------|------------|--|
| Weight product:      | 51 kg      |  |
| Packaging dimensions | Weight+box |  |
| Frame: 100x40x58.5   | 31.5 kg    |  |
| Theme: 58x41.5x100   | 30.6 kg    |  |

years

# 5+

125 to 190 cm

**BERGTOYS.COM**

EAN-CODE: **8715839051063**





07.11.03.00

# BERG NEW HOLLAND

*Inspiring Active Play*

Especially on the farm you can find the freedom and space to enjoy outdoor adventures. This BERG New Holland pedal go kart will support you during these adventures. It is an officially licensed product and the design is based on real New Holland tractors. It is equipped with impressive rugged tyres which have extreme grip on muddy surfaces. The coloring, decals and exhaust pipe make this kart a real New Holland for the young farmer and New Holland fan.

All BERG Farm models come equipped with an exhaust pipe



Equipped with tractor tyres



Weight product: 51 kg  
 Packaging dimensions Weight+box  
 Frame: 100x40x58.5 31.5 kg  
 Theme: 58x41.5x100 30.4 kg

years

5+

125 to 190 cm





07.11.05.00

# BERG DEUTZ-FAHR

*Inspiring Active Play*

Especially on the farm you can find the freedom and space to enjoy outdoor adventures. This BERG DEUTZ-FAHR pedal go kart will support you during these adventures. It is an officially licensed product and the design is based on real DEUTZ-FAHR tractors. It is equipped with impressive rugged tyres which have extreme grip on muddy surfaces. The coloring, decals and exhaust pipe make this kart a real DEUTZ-FAHR for the young farmer and DEUTZ-FAHR fan.



Easy braking due to the handbrake

Equipped with real tractor tyres



|                      |             |         |
|----------------------|-------------|---------|
| Weight product:      | 51 kg       |         |
| Packaging dimensions | Weight+box  |         |
| Frame:               | 100x40x58.5 | 31.5 kg |
| Theme:               | 58x41.5x100 | 30.6 kg |

years

# 5+

125 to 190 cm

**BERGTOYS.COM**

EAN-CODE: **8715839051070**



## BERG LRO ACCESSORIES

*Inspiring Active Play*

| Accessorie                                  | Art. nr.    | Netto weight | Tare weight | Gross depth |
|---|-------------|--------------|-------------|-------------|
| 1 BERG Front mudguards black                | 15.03.32.00 | 1 kg         | 0.01 kg     | 32x11x18    |
| 2 BERG Rubber Go-kart bumper (for XL Frame) | 15.08.28.01 | 3.3 kg       | 0.1 kg      | 20x10x10    |
| 3 BERG Support strut                        | 15.09.08.00 | 1.1 kg       | 0.1 kg      | 20x10x10    |
| 4 BERG Light set                            | 15.20.45.00 | 0.57 kg      | 0.58 kg     | 20x10x10    |
| 5 BERG Comfort seat                         | 15.20.54.00 | 6.3 kg       | 7 kg        | 58x22x38    |
| 6 BERG Mirror set                           | 15.21.01.00 | 0.31 kg      | 0.32 kg     | 20x10x10    |
| 7 BERG Speedometer                          | 15.23.12.01 | 0.2 kg       | 0.2 kg      | 13x9x7.5    |
| 8 BERG Horn 2-tones                         | 15.24.02.00 | 0.23 kg      | 0.2         | 20x10x10    |
| 9 BERG Flashing light orange on pole        | 15.24.70.01 | 1.6 kg       | 1.94 kg     | 12x14x119   |
| 10 BERG Flashing light orange for roll-bar  | 15.24.80.01 | 0.6 kg       | 0.7 kg      | 14x11x15    |
| 11 BERG Flashing light cover blue           | 16.24.20.00 | 0.3 kg       | 0.31 kg     | 10x15x10    |

\* Look at our website or specification list which accessorie is suitable per go-kart





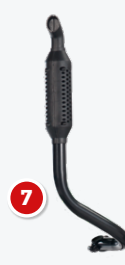


## BERG LRO ACCESSORIES

Inspiring Active Play

| Accessorie                                     | Art. nr.    | Netto weight | Tare weight | Gross depth  |
|--|-------------|--------------|-------------|--------------|
| <b>1</b> BERG Rear lifting unit                | 15.60.30.03 | 5.7 kg       | 5.9 kg      | 42x11x24     |
| <b>2</b> BERG Front lifting unit               | 15.60.40.01 | 5.8 kg       | 6.5 kg      | 62x19.5x38.5 |
| <b>3</b> BERG Roll bar Farm                    | 15.63.01.00 | 5.2 kg       | 6.2 kg      | 52x52x16     |
| <b>4</b> BERG Roll bar Offroad                 | 15.63.11.00 | 5.75 kg      | 6.22 kg     | 47x16x47     |
| <b>5</b> BERG Spare wheel X-Plore              | 15.63.23.00 | 4.66 kg      | 5.3 kg      | 51x46x19     |
| <b>6</b> BERG Spare wheel Jeep®                | 15.63.24.00 | 5.22 kg      | 5.86 kg     | 51x46x19     |
| <b>7</b> BERG Exhaust Farm                     | 15.63.40.00 | 2.2 kg       | 2.2 kg      | 22x17x57     |
| <b>8</b> BERG License plate kit (for XL Frame) | 15.63.42.00 | 0.8 kg       | 0.9 kg      | 12x10x26     |
| <b>9</b> BERG Side skirts Race GTS             | 15.63.51.00 | 5.28 kg      | 5,68 kg     | 81x19x27     |
| <b>10</b> BERG Liftbucket                      | 15.60.50.01 | 7.79 kg      | 8.17 kg     | 58x28x32     |
| <b>11</b> BERG Pallet fork                     | 15.60.55.01 | 5.5 kg       | 6.2 kg      | 51x60x27     |
| <b>12</b> BERG Bulldozer blade                 | 15.60.60.01 | 7.5 kg       | 8.2 kg      | 73x17x25     |

\* Look at our website or specification list which accessorie is suitable per go-kart





## BERG LRO ACCESSORIES

*Inspiring Active Play*

|   | <b>Accessorie</b>      | <b>Art. nr.</b> | <b>Netto weight</b> | <b>Tare weight</b> | <b>Gross depth</b> |
|---|------------------------|-----------------|---------------------|--------------------|--------------------|
| 1 | BERG Trailer XL        | 18.08.00.00     | 14.5 kg             | 17 kg              | 57x18x90           |
| 2 | BERG Steel Trailer XL  | 18.08.02.00     | 18.2 kg             | 20.7 kg            | 57x18x90           |
| 3 | BERG Tandem Trailer XL | 18.08.04.00     | 19.0 kg             | 22.6 kg            | 133x72x42          |

\* Look at our website or specification list which accessorie is suitable per go-kart







## BERG LRO ACCESSORIES

Inspiring Active Play

| Accessorie                             | Art. nr.    | Netto weight | Tare weight | Gross depth |
|--|-------------|--------------|-------------|-------------|
| 1 BERG Passenger seat Basic/Extra Blue | 15.37.00.00 | 4.6 kg       | 5.4 kg      | 56x23x38    |
| 2 BERG Passenger seat Jeep®            | 15.37.01.00 | 4.6 kg       | 5.4 kg      | 56x23x38    |
| 3 BERG Passenger seat John Deere       | 15.37.02.00 | 4.6 kg       | 5.4 kg      | 56x23x38    |
| 4 BERG Passenger seat CLAAS            | 15.37.03.00 | 4.6 kg       | 5.4 kg      | 56x23x38    |
| 5 BERG Passenger seat Case IH          | 15.37.04.00 | 4.6 kg       | 5.4 kg      | 56x23x38    |
| 6 BERG Passenger seat New Holland      | 15.37.05.00 | 4.6 kg       | 5.4 kg      | 56x23x38    |
| 7 BERG Passenger seat Fendt            | 15.37.06.00 | 4.6 kg       | 5.4 kg      | 56x23x38    |
| 8 BERG Passenger seat DEUTZ-FAHR       | 15.37.07.00 | 4.6 kg       | 5.4 kg      | 56x23x38    |
| 9 BERG Passenger seat X-Cross          | 15.37.08.00 | 4.6 kg       | 5.4 kg      | 56x23x38    |
| 10 BERG Passenger seat Race GTS        | 15.37.15.00 | 4.6 kg       | 5.4 kg      | 56x23x38    |
| 11 BERG Passenger seat X-Plore         | 15.37.10.00 | 4.6 kg       | 5.4 kg      | 56x23x38    |
| 12 BERG Passenger seat Black Edition   | 15.37.11.00 | 4.6 kg       | 5.4 kg      | 56x23x38    |
| 13 BERG Passenger seat Extra Sport Red | 15.37.14.00 | 4.6 kg       | 5.4 kg      | 56x23x38    |
| 14 BERG Passenger seat Black           | 15.37.16.00 | 4.6 kg       | 5.4 kg      | 56x23x38    |

\* Look at our website or specification list which accessorie is suitable per go-kart

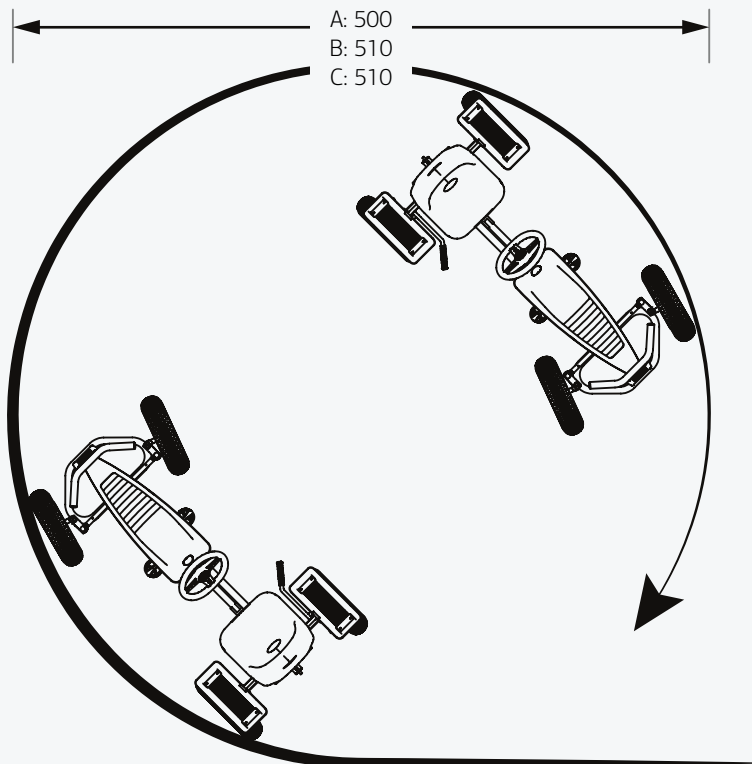




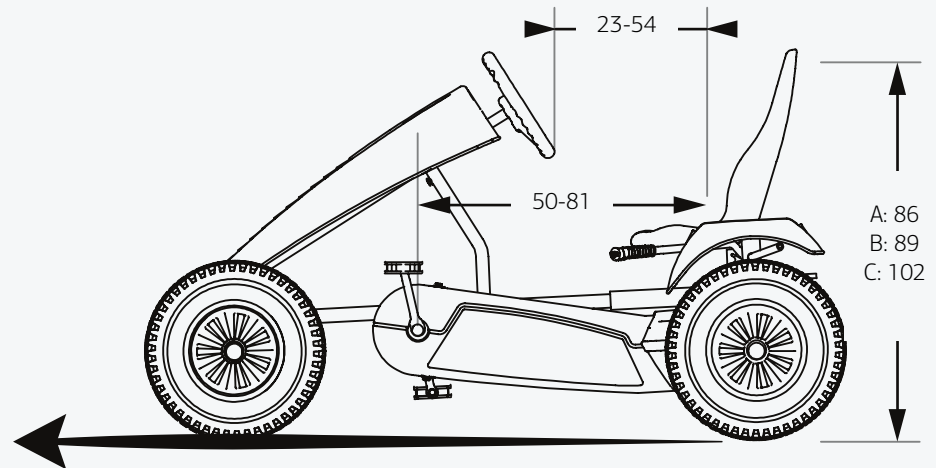
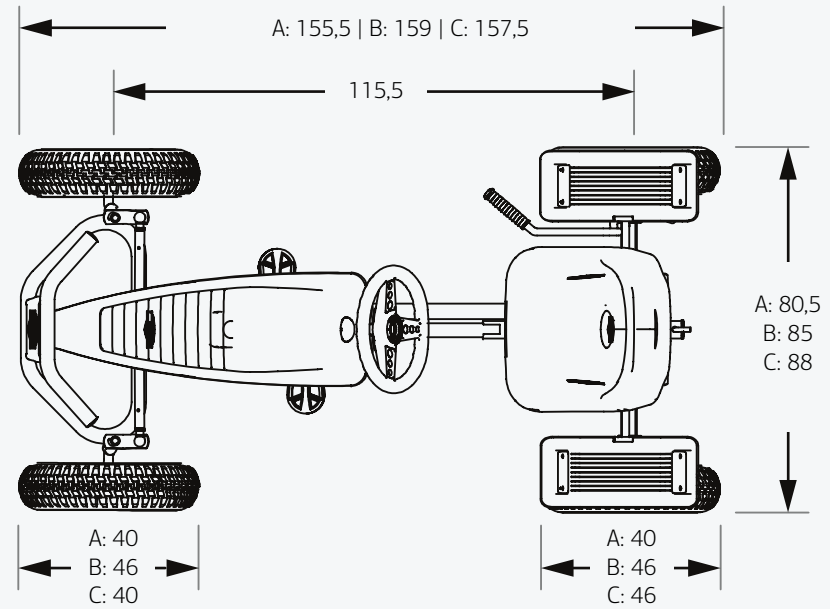
# BERG LRO DATA

*Inspiring Active Play*

All data is applicable on all XL Frame models unless indicated otherwise.  
A: General models | B: Safari | C: Farm models



\*All sizes in cm







## BERG LRO DATA

*Inspiring Active Play*

### General

|                               |         |
|-------------------------------|---------|
| Recommended age               | 5+      |
| Max user height               | 200 cm  |
| Max user weight               | 100 kg  |
| Parental supervision required | Yes     |
| Safety mark                   | CE      |
| Assembly time                 | <30 min |

### Warranty

|       |         |
|-------|---------|
| Frame | 2 years |
| Parts | 2 years |
| Tyres | 0 years |

### Technical characteristics

|                           |                 |
|---------------------------|-----------------|
| Gears                     | None            |
| Tyre type                 | Pneumatic tyres |
| Frame material            | Steel           |
| Forward and backward      | Yes             |
| Braking system            | BFR             |
| Parking brake             | Yes             |
| Transmission              | BFR             |
| Ball bearings             | Yes             |
| Swing axle                | Yes             |
| Adjustable seat           | Yes             |
| Adjustable steering wheel | No              |
| Trailer connection        | Yes             |



